

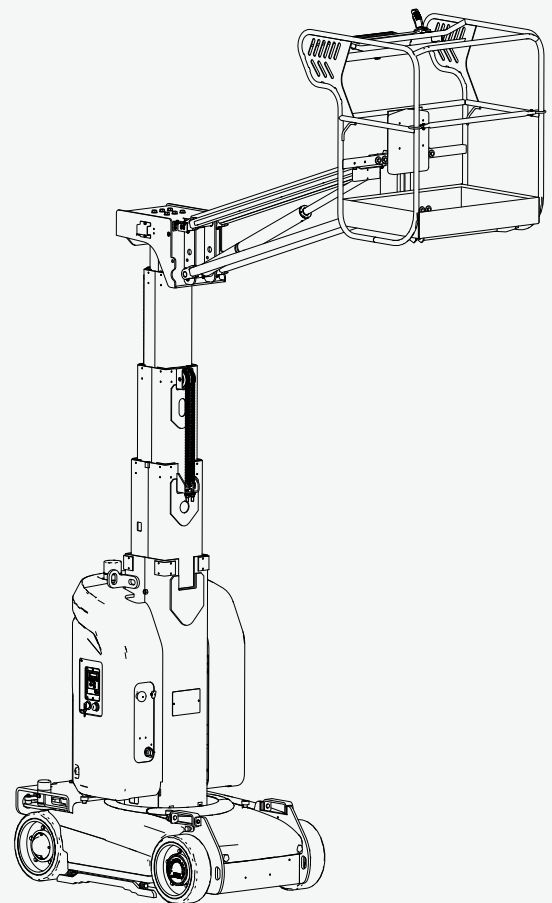
Part No.509002120002

Rev: B

June. 2022

Parts Manual

**GTTZ10EJ/ML10EJ/
ML270EJ**



CE ANSI SFA® GB

SINOBOOM

 **WARNING**

Operating, servicing and maintaining this vehicle or equipment can expose you to chemicals including engine exhaust, carbon monoxide, phthalates, and lead, which are known to the State of California to cause cancer and birth defects or other reproductive harm. To minimize exposure, avoid breathing exhaust, do not idle the engine except as necessary, service your vehicle or equipment in a well-ventilated area and wear gloves or wash your hands frequently when servicing. For more information go to: www.P65warnings.ca.gov.
For disposal, please follow your nation regulation.

Manual revision history :

REV	DATE	DESCRIPTION	REMARK
A	Aug,2021	Original issue of the manual	
B	June, 2022	Update the manual	

Please contact us:

Website : www.sinoboom.com

E-mail : sales@sinoboom.com

Sales Tel : 0086-0731-87116222

Service Tel : 0086-0731-87116333

Address : No.128, East Jinzhou Avenue, Ningxiang High-tech Industrial Park, Changsha, Hunan, China

Zip Code : 410600

Copyright © Hunan Sinoboom Intelligent Equipment Co., Ltd. All Rights Reserved

The final interpretation right of this manual belongs to Hunan Sinoboom Intelligent Equipment Co., Ltd.

APPLICATION

Use the following table to identify the specific serial number for models included in this manual. Check the model of your machine before consulting the manual, and then use the correct manual according to the serial number of the model. See the nameplate on your machine to identify the model and serial number. (See **Decals** section of this manual for details.)

MODELS	Trade identification		SERIAL NO.
	Metric	Imperial	
GTTZ10EJ	ML10EJ	ML270EJ	From 0900200296 to Current

NOTE:

- Product model is applied in product nameplate for distinction of products of different main parameters.
- Product trade identification is applied in marketing and machine decals for distinction of products of different main parameters, and can be classified as metric type and imperial type: The metric type of trade identification is applicable to machines for countries/regions using metric system or as specially required by customers; The imperial type of trade identification is applicable to the machines for countries/regions using imperial system or as specially required by customers.

STATEMENTS

Hunan Sinoboom Intelligent Equipment Co., Ltd. (Hereinafter referred to as Sinoboom) will upload the latest product manual information to the website www.sinoboom.com as soon as possible. However, due to continuous product improvement, the information in this manual is subject to change without prior notice.

This manual covers the basic parts information of one or more products. Therefore, please use this manual according to your needs. If you find problems in the manual or have suggestions for improvement, feel free to share your feedback with Sinoboom, and we will address these issues as soon as possible.

Feel free to consult and download the *Operation Manual*, *Maintenance Manual* and *Parts Manual* of the products you need online at www.sinoboom.com.

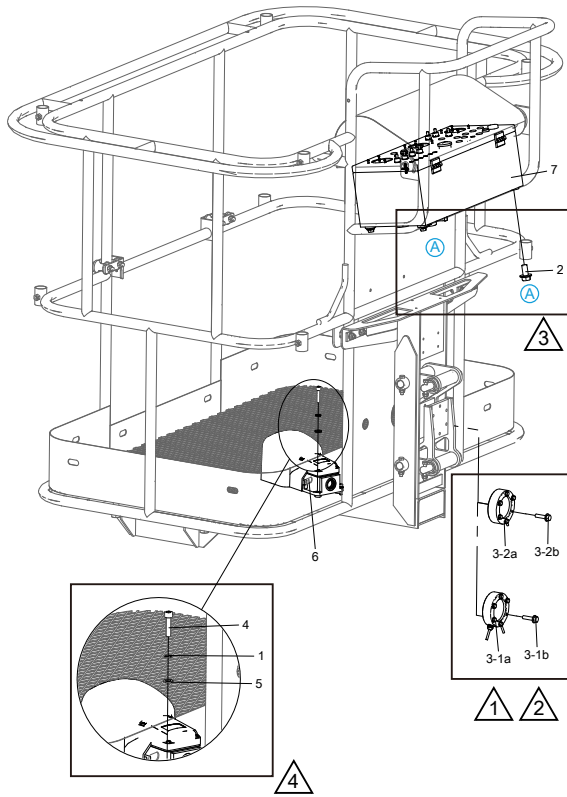
Hunan Sinoboom Intelligent Equipment Co., Ltd. retains the right of final interpretation of the manual.

SINOBOOM



All of the above are registered trademarks of Hunan Sinoboom Intelligent Equipment Co., Ltd..

GENERAL INFORMATION



No.	Part No.	Qty.	Description
1	21504000004	3	Washer 6-A2-70 GB/T 93
2	215010000237	4	Bolt M10×20-8.8-ZnD GB/T 5789
3	103006060034		Options, Load sensor
3-1	103006060026	1	Load sensor installation
3-1a	203150000070	1	Load sensor
3-1b	215010000232	6	Bolt M6×25-8.8-ZnD GB/T 5789
3-2	103006060029	1	Load sensor installation
3-2a	203150000069	1	Load sensor
3-2b	215010000232	6	Bolt M6×25-8.8-ZnD GB/T 5789
4	215020000013	3	Screw M6×25-A2-70 GB/T 70.1
5	215040000033	3	Washer 6-A2 GB/T 97.1
6	203060000009	1	Footswitch
6	105002040001	1	Platform control box assembly

The special meanings expressed in the illustrations and tables in this manual are explained as follows :

- △1 Add "-1, -2, -3..." after the number to represents an options (one multiple choice), such as choose 3-1 and 3-2 according to specific needs.
- △2 Add "lowercase a, b, c..." after the number to indicate by a variety of components, such as 1a and 1b composition 1.
- △3 "A,B,C..." in figure indicates the same parts in many places, and the same place is indicated by the same symbol.
- △4 The diagram indicated by the lead is a local enlargement or a local illustration.

TABLE OF CONTENTS

1	Chassis Components	3
1.1	Drive System	4
1.2	Drive Reducer,DC (PN.203010003036)	5
1.3	Steer System	6
1.4	Front Wheel Installation	7
1.5	Chassis Cover Installation	9
1.6	Pothole Protection System Installation	10
1.7	Counterweight Installation	12
1.8	Chassis Shield Installation	13
2	Turntable Components	15
2.1	Slewing Bearing & Reducer Installation	16
2.2	Turntable Shield Installation	17
2.3	Battery Holder Installation	19
2.4	Hoods &Counterweight Installation	21
3	Boom Components	23
3.1	Base Boom Installation	24
3.2	Telescopic Boom 1 Installation	25
3.3	Telescopic Boom 2 Installation	26
3.4	Telescopic Boom 3 Installation	27
3.5	Telescopic Boom 4 Installation	28
3.6	Telescopic Mechanism	29
4	Jib Boom Installation	33
4.1	Jib Boom Installation	34
5	Hydraulic System	37
5.1	Hydraulic Installation	38
5.2	Power Unit (PN.202010000043)	40
5.3	Check Valve, Hydraulic-Operated (PN.202040003007)	41
5.4	Pothole Control Valve (PN.202040003006)	42
5.5	Lift Control Valve (PN.202040003004)	43

5.6	Jib Control Valve (PN.202040003002)	44
5.7	Hydraulic Tubes Layout	45
5.8	Hydraulic Schematic	47
6	Electrical System	49
6.1	Chassis Electrical Components Installation	50
6.2	Turntable Electrical Components Installation	51
6.3	Platform & Jib Electrical Components Installation.....	54
6.4	Platform Controller (PN.203020000050)	56
6.5	Joystick (PN.203030003022)	57
6.6	Platform Controller (PN.203020003096)	58
6.7	Control Panel Installation	60
6.8	Maintenance-Free Batteries Installation	62
6.9	Lead Acid Batteries Installation	63
6.10	Power Cable Kit(DTC)	64
6.11	Chassis Harness(DTC)	65
6.12	Ground to Platform Harness	68
6.13	Jib Harness	69
6.14	Electrical Schematic	71
7	Decals	73
7.1	Decals(GB).....	74
7.2	Decals(ANSI).....	77
7.3	Decals(CSA)	80
7.4	Decals(CE-Metric)	83
7.5	Decals(CE-Imperial)	85
8	Special Options	87
8.1	GPS Installation 1	88
8.2	GPS Installation 2	89

INTRODUCTION

Thank you for choosing and using the machinery of Hunan Sinoboom Intelligent Equipment Co., Ltd. Always read, understand and become familiar with the operation requirements of the machine and its associated safety procedures before operating, maintaining and repairing the machine. Operating the machine without becoming familiar with its specific operation requirements and safety procedures poses serious risks. Operators who follow safety rules and operate the machine carefully and effectively will prevent personal injury, property loss and accidents.

The information contained in this manual is designed to aid the user in locating and identifying replacement parts. Component parts of various assemblies and sub-assemblies are illustrated and accompanied by a descriptive parts list. Exploded drawings are used to show relative location of component parts in disassembly or assembly order.

This product uses the latest technology and the highest quality components. When replacement parts are required, Hunan Sinoboom Intelligent Equipment Co., Ltd. recommends that only the original or recommended parts be used. When ordering replacement parts, the complete part number and description should be used to ensure proper identification and delivery of the desired item. This complete identification should also be used when requesting equipment information.

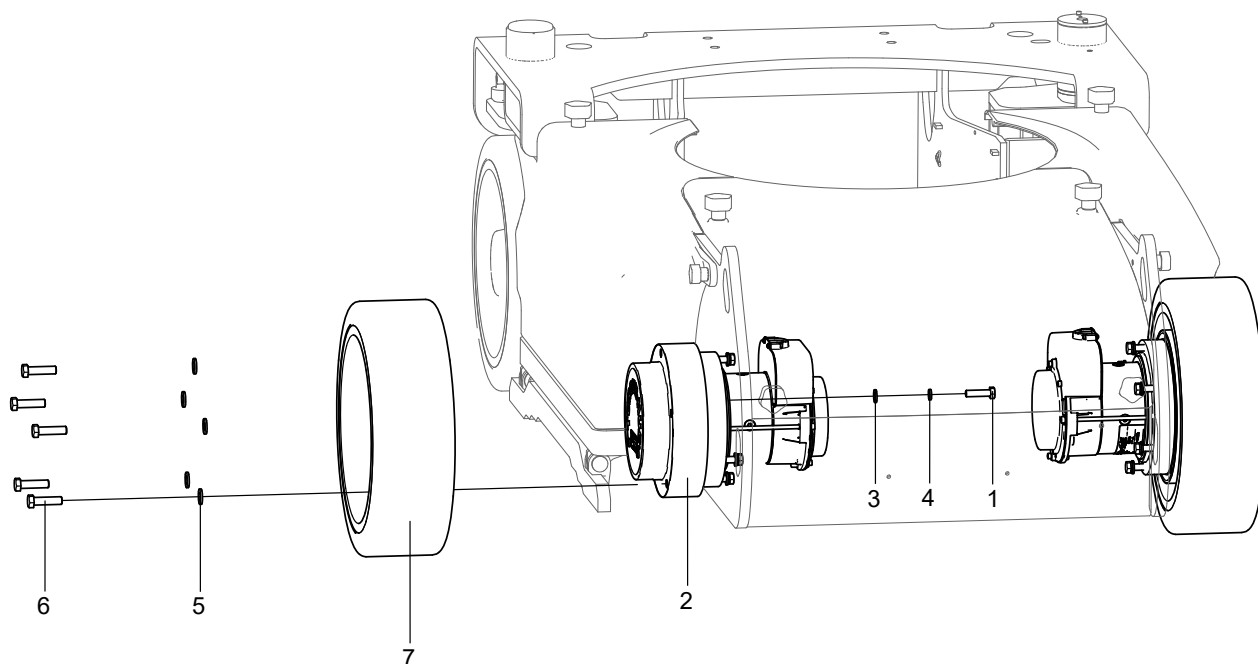
Consider this manual a part of the machine, along with *Operation Manual* and *Maintenance Manual*, and always keep the manuals with the machine. The owner or administrator of the machine shall offer all manuals and other necessary information provided by the machine manufacturer regarding the daily inspection and maintenance to each of the renters. If the machine is sold, the owner or administrator must pass along the manuals and other necessary information to the purchaser. The owner or administrator of the machine shall also provide the manufacturer's maintenance information to the person responsible for maintaining the machine.

If you have any questions, contact Hunan Sinoboom Intelligent Equipment Co., Ltd..

This Page Intentionally Left Blank

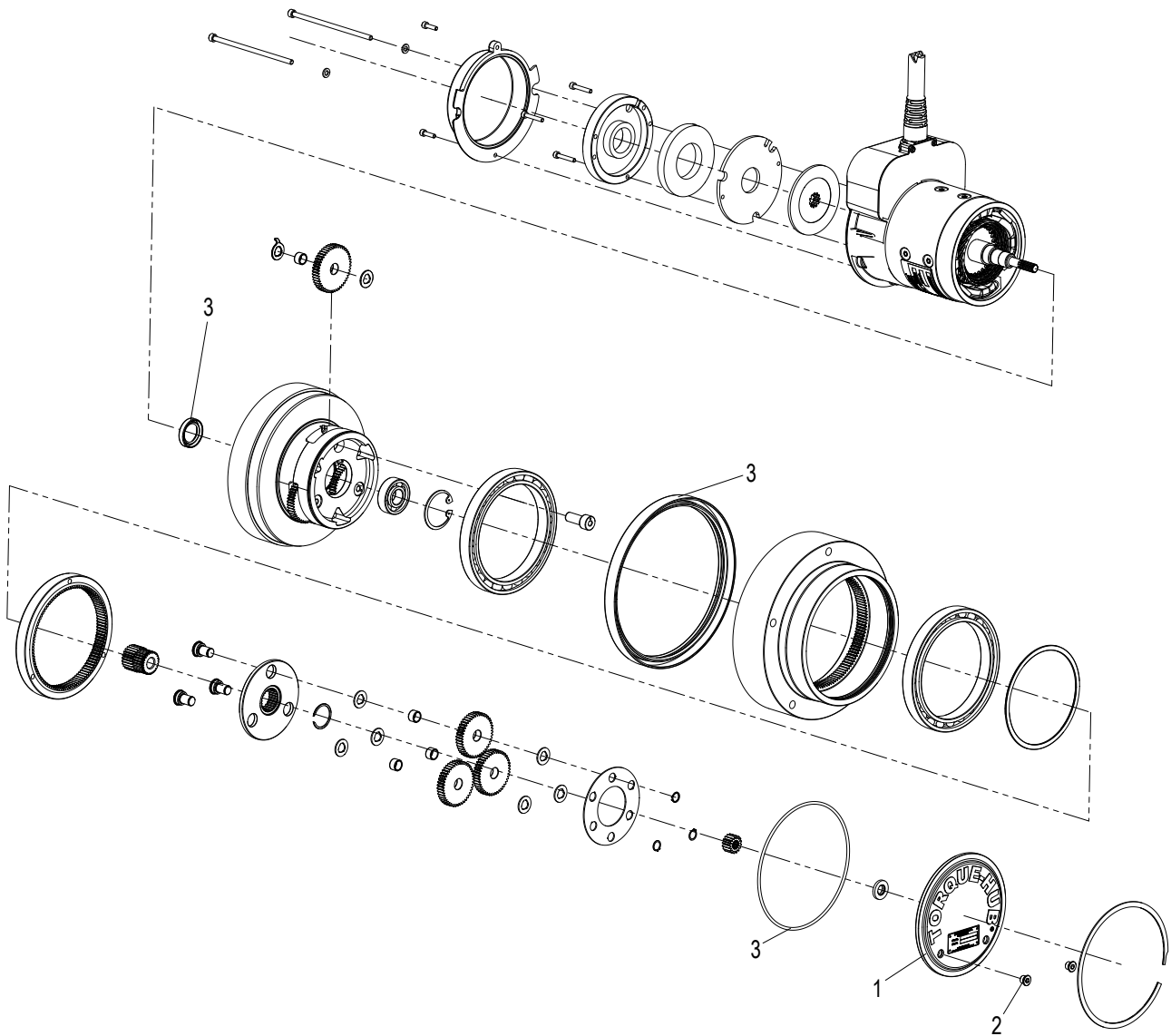
1 CHASSIS COMPONENTS

1.1 DRIVE SYSTEM



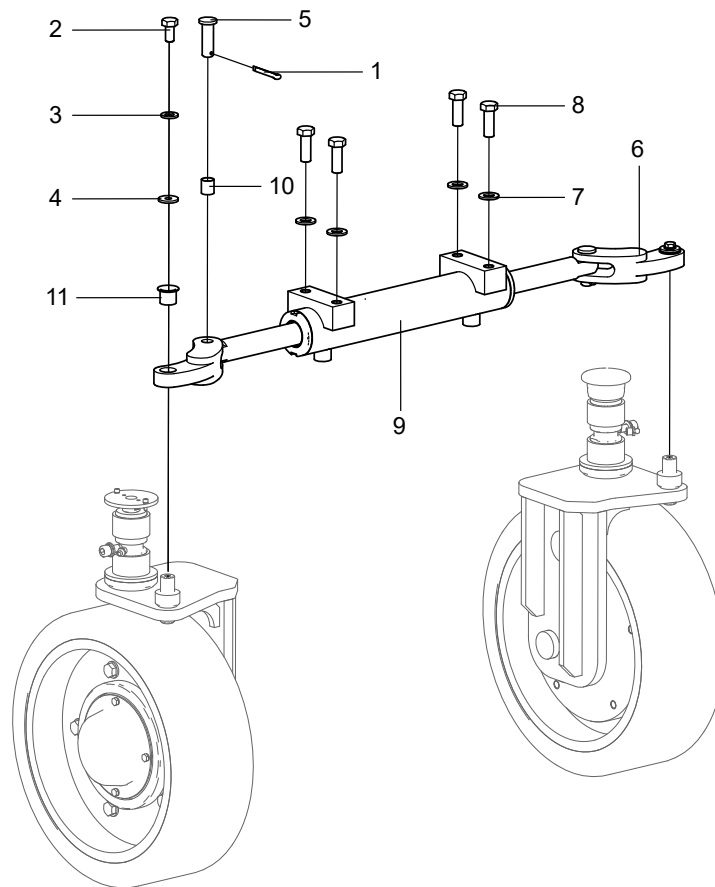
No.	Part No.	Qty.	Description
1	21508000013	12	Bolt 3/8-16UNC-1.5-GR8-DKL ASME B18.2.1
2	203010003036	2	Drive reducer, DC
3	215040000035	12	Washer 10-200HV-ZnD GB/T 97.1
4	215040000006	12	Washer 10-ZnD GB/T 93
5	215040000037	10	Washer 12-200HV-ZnD GB/T 97.1
6	215010000208	10	Bolt M12×1.5×45-8.8-ZnD GB/T 5786
7	204080000024	2	Tire

1.2 DRIVE REDUCER,DC (PN.203010003036)



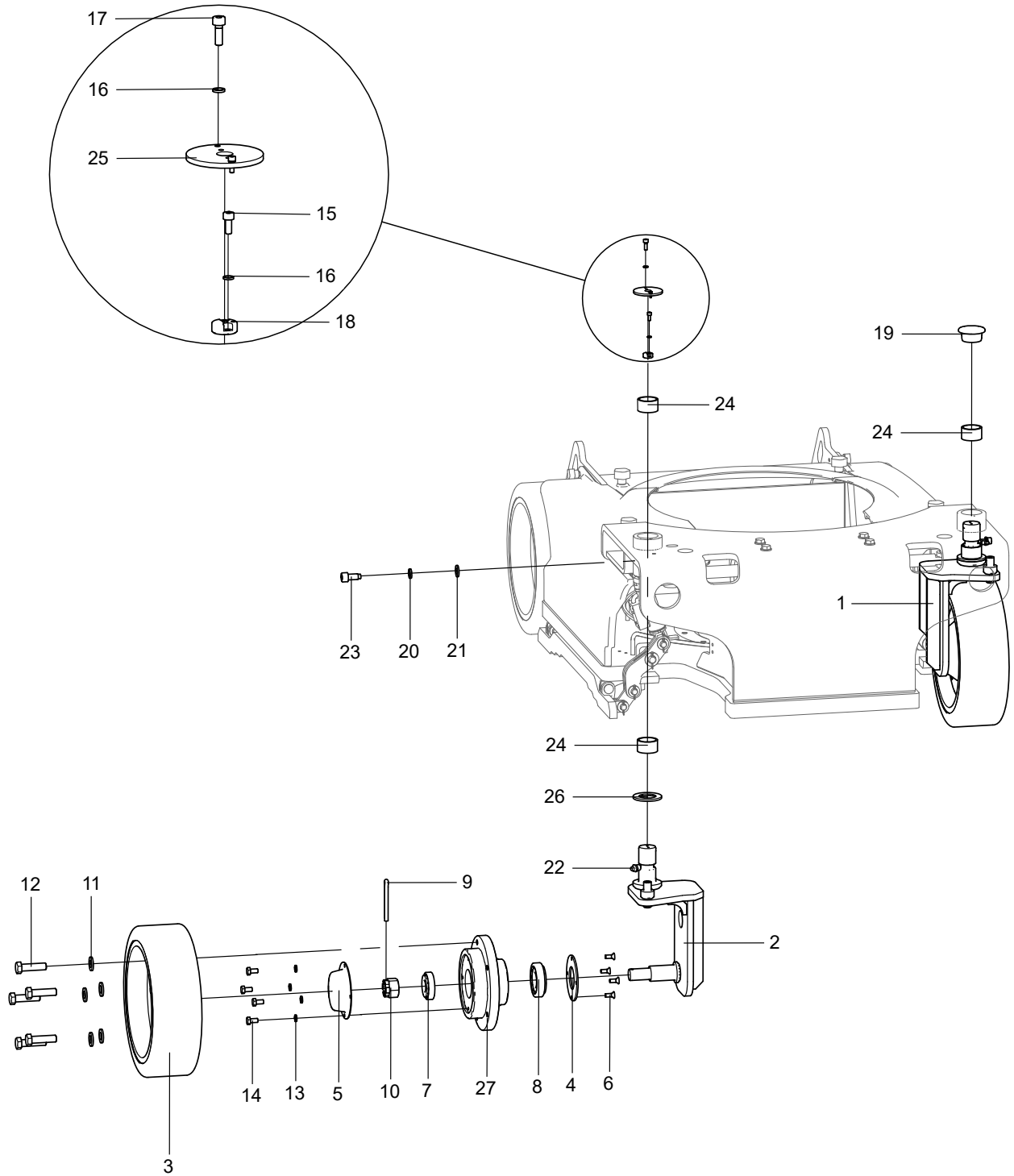
No.	Part No.	Qty.	Description
1	216990003049	1	End cap
2	207080003001	2	Oil plug
3	207060003006	1	Seal kit

1.3 STEER SYSTEM



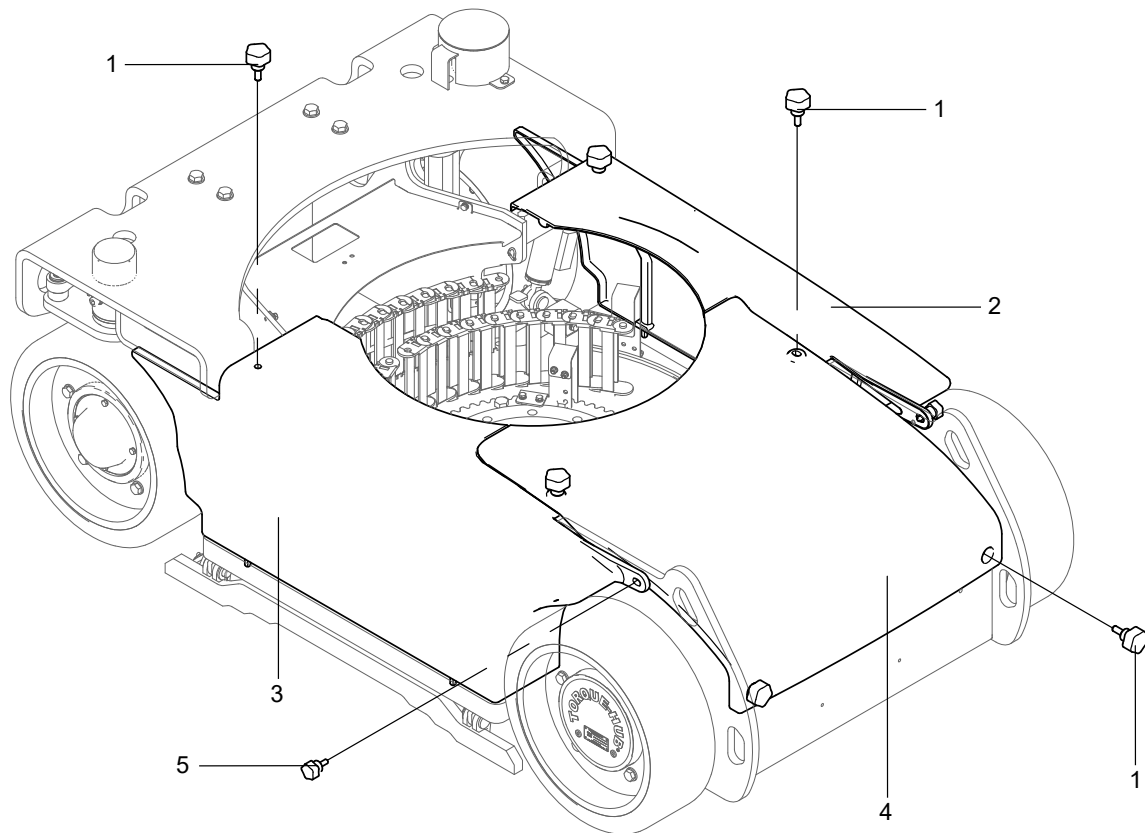
No.	Part No.	Qty.	Description
1	215060000066	2	Pin 4×25-ZnD GB/T 91
2	215010000056	2	Bolt M8×16-8.8-ZnD GB/T 5783
3	215040000034	2	Washer 8-200HV-ZnD GB/T 97.1
4	215040000103	2	Washer 8-100HV-ZnD GB/T 5287
5	215060000064	2	Clevis Pin B16×50-ZnD GB/T 882
6	109002030024	2	Steer linkage
7	215040000119	4	Washer 14-200HV-ZnD GB/T 97.1
8	215010000220	4	Bolt M14×1.5×40-10.9-DKL GB/T 5786
9	109002030073	1	Steer cylinder(A)
9a-1	207990003027	1	Seal kit, cylinder(1000122)
9a-2	207990003025	1	Seal kit, cylinder(1000145)
10	214030000025	2	Bearing 16×18×20 SF-1
11	214080000001	2	Bearing 20×23×21.5 SF-1F

1.4 FRONT WHEEL INSTALLATION



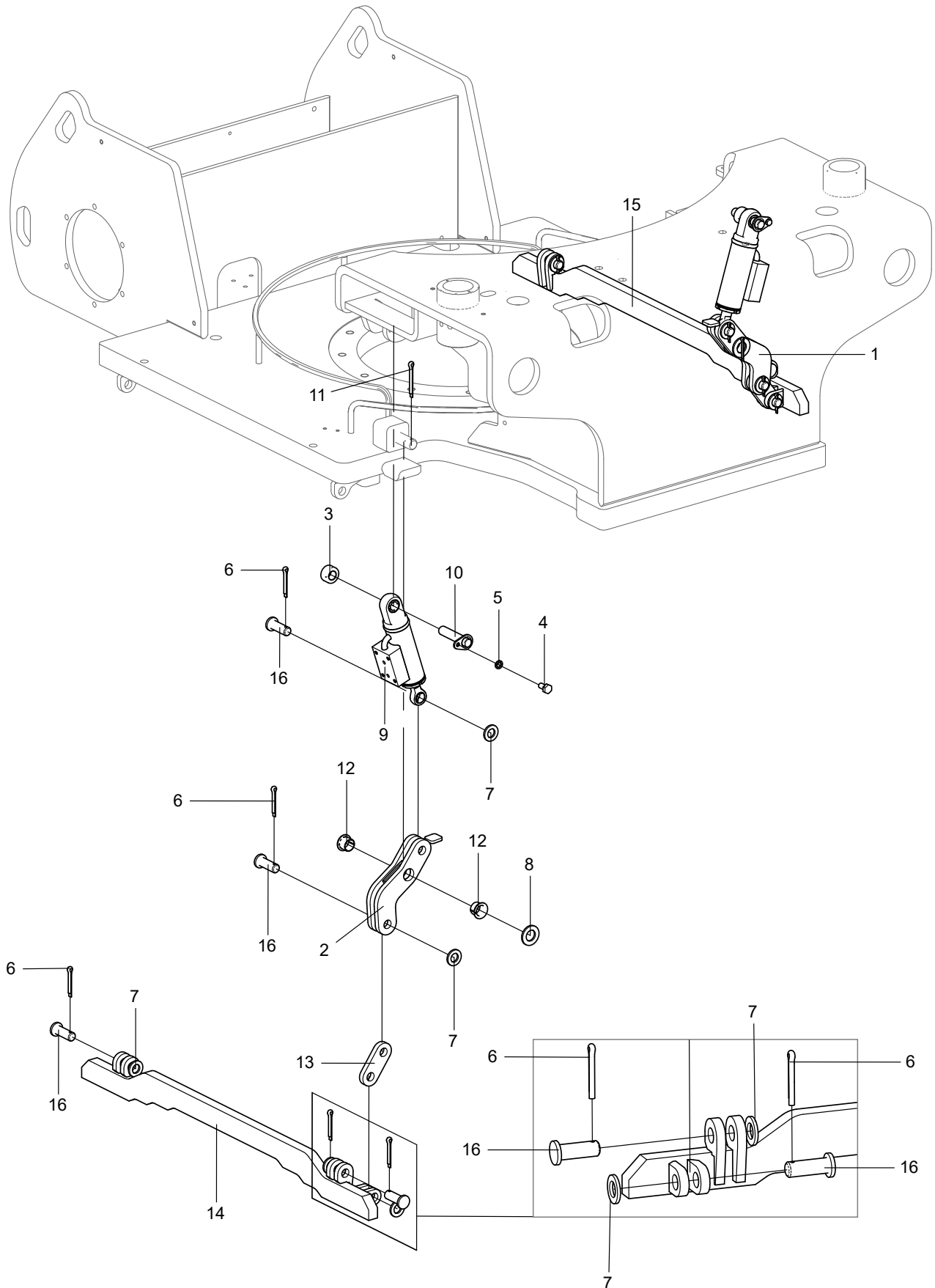
No.	Part No.	Qty.	Description
1	109002030059	1	Wheel carrier, left
2	109002030007	1	Wheel carrier, Right
3	204080000024	2	Tire
4	109002030075	2	Plate
5	109002030022	2	Dust cover
6	215020000134	8	Screw M6×12-A2-70 GB/T 819.1
7	214010000018	2	Bearing 30306 GB/T 297
8	214010000010	2	Bearing 30308 GB/T 297
9	215060000014	2	Pin 6.3×56-ZnD GB/T 91
10	215030000060	2	Nut M30×2-8-ZnD GB/T 9457
11	215040000037	10	Washer 12-200HV-ZnD GB/T 97.1
12	215010000208	10	Bolt M12×1.5×45-8.8-ZnD GB/T 5786
13	215040000004	8	Washer 6-A2-70 GB/T 93
14	215010000049	8	Bolt M6×12-A2-70 GB/T 5783
15	215020000001	2	Screw M4×10-A2-70 GB/T 70.1
16	215040000002	4	Washer 4-A2-70 GB/T 93
17	215020000002	2	Screw M4×12-A2-70 GB/T 70.1
18	101016010062	1	Flange
19	101014030089	1	Plug
20	215040000006	2	Washer 10-ZnD GB/T 93
21	215040000035	2	Washer 10-200HV-ZnD GB/T 97.1
22	207010000003	2	Grease nipple M10×1 GB/T 1152
23	101032030107	2	Special Bolt
24	214030000074	4	Bearing, self-lubricating
25	109002030018	1	Plate
26	101014030034	2	Pad
27	109002030033	2	Bearing block

1.5 CHASSIS COVER INSTALLATION



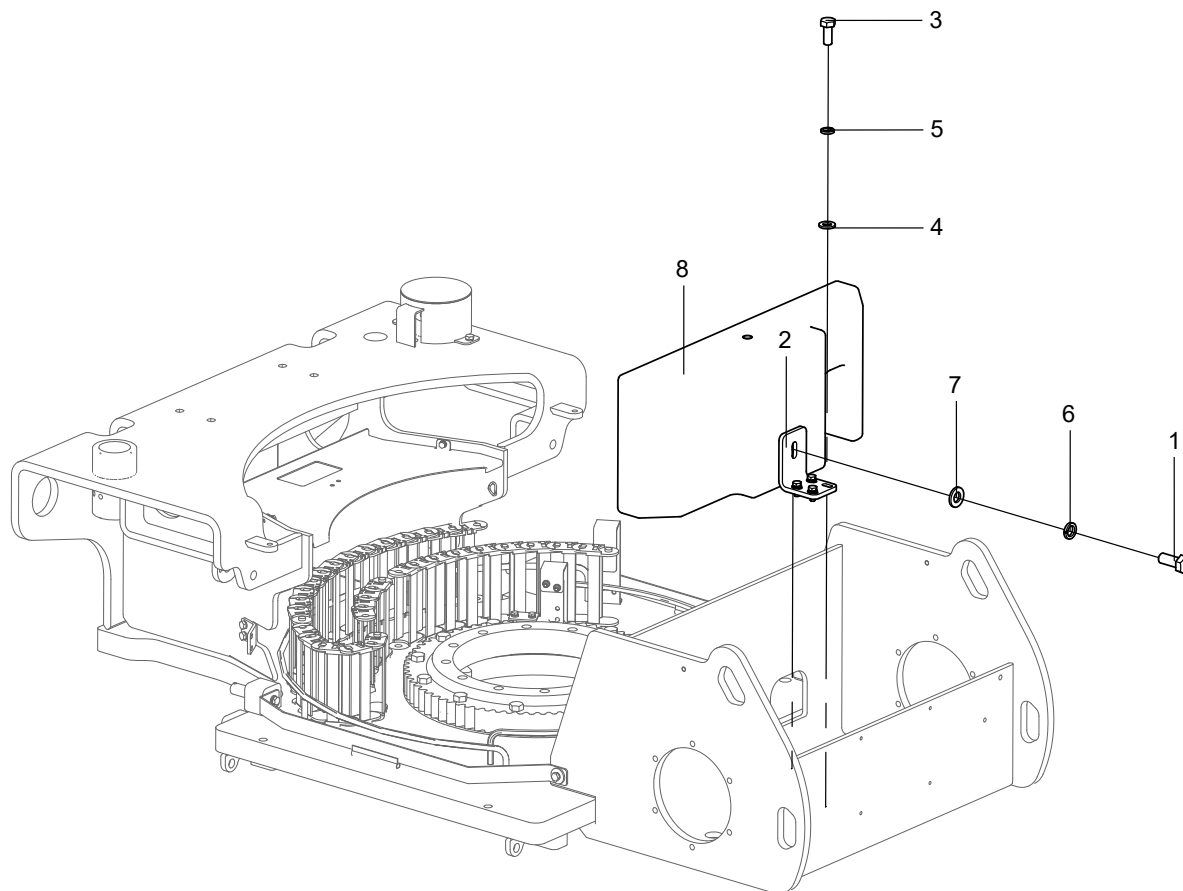
No.	Part No.	Qty.	Description
1	20903000006	6	Bolt, star-headed
2	109002030004	1	Turntable cover, LH
3	109002030003	1	Turntable cover, right
4	109002030061	1	Chassis cover, front
5	209030003004	2	Bolt M8

1.6 POTHOLE PROTECTION SYSTEM INSTALLTION



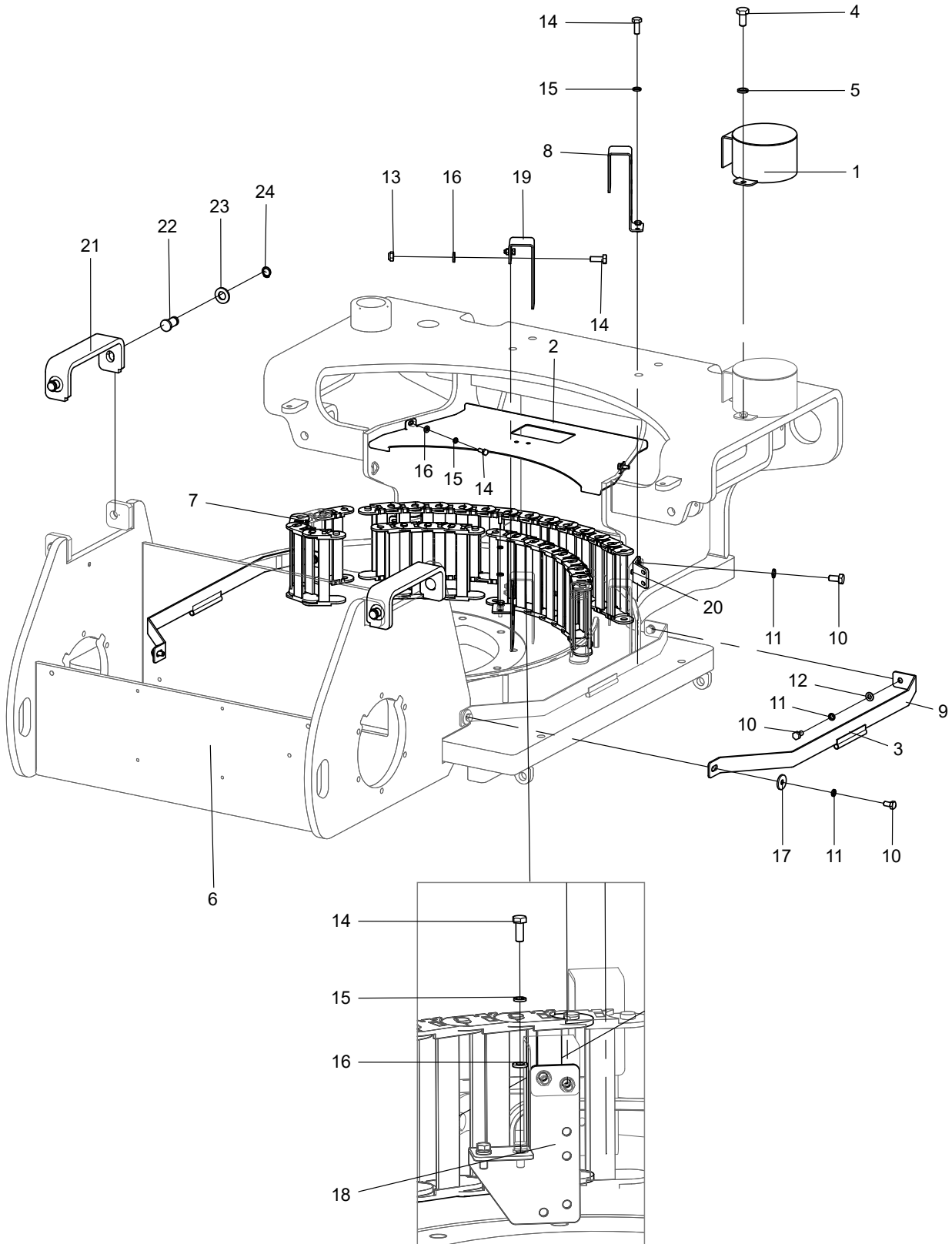
No.	Part No.	Qty.	Description
1	109002030062	1	Connecting rod, left
2	109002030066	1	Connecting rod, right
3	109002030027	2	Stop collar
4	215010000049	2	Bolt M6×12-A2-70 GB/T 5783
5	215040000004	2	Washer 6-A2-70 GB/T 93
6	215060000066	10	Pin 4×25-ZnD GB/T 91
7	215040000039	10	Washer 16-200HV-ZnD GB/T 97.1
8	215040000041	2	Washer 20-200HV-ZnD GB/T 97.1
9	109002030072	2	Cylinder, pothole guard(A)
9a-1	207990003024	1	Seal kit, cylinder(1000145)
9a-2	207990003028	1	Seal kit, cylinder(1000122)
10	109002030034	2	Pin assembly Φ16-70
11	215060000007	2	Pin 4×32-ZnD GB/T 91
12	214030000024	4	Bearing 20×23×16.5 SF-1F
13	109002030042	2	Plate
14	109002030014	1	Pothole protection plate, right
15	109002030041	1	Pothole protection plate, left
16	215060000038	10	Clevis B16×45-ZnD GB/T 882

1.7 COUNTERWEIGHT INSTALLATION



No.	Part No.	Qty.	Description
1	215010000069	1	Bolt M10×25-8.8-ZnD GB/T 5783
2	101016030017	1	Bracket
3	215010000057	4	Bolt M8×20-8.8-ZnD GB/T 5783
4	215040000034	4	Washer 8-200HV-ZnD GB/T 97.1
5	215040000005	4	Washer 8-ZnD GB/T 93
6	215040000006	1	Washer 10-ZnD GB/T 93
7	215040000035	1	Washer 10-200HV-ZnD GB/T 97.1
8	109002030005	1	Block, counterweight

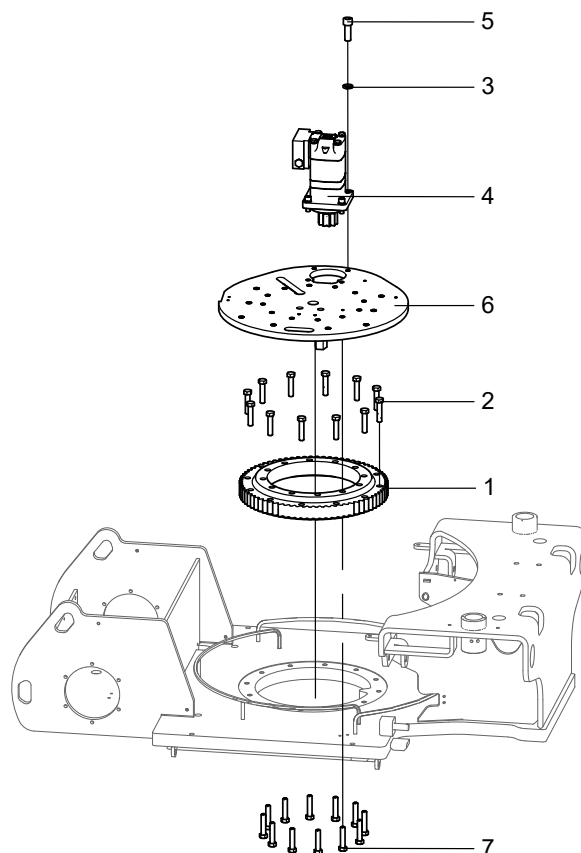
1.8 CHASSIS SHIELD INSTALLATION



No.	Part No.	Qty.	Description
1	109002030030	1	Guard, angle sensor
2	109002030054	1	Plate
3	207070000001	2	Rubber seal
4	215010000056	2	Bolt M8×16-8.8-ZnD GB/T 5783
5	215040000005	2	Washer 8-ZnD GB/T 93
6	109002030017	1	Weldment, Chassis
7	204190000028	1	Cable track
8	109002030040	1	Plate
9	109002030011	2	Plate, bending
10	215010000056	8	Bolt M8×16-8.8-ZnD GB/T 5783
11	215040000005	8	Washer 8-ZnD GB/T 93
12	215040000034	2	Washer 8-200HV-ZnD GB/T 97.1
13	215030000025	2	Nut M6-8-A2-70 GB/T 889.1
14	215010000050	8	Bolt M6×16-A2-70 GB/T 5783
15	215040000004	6	Washer 6-A2-70 GB/T 93
16	215040000033	6	Washer 6-A2 GB/T 97.1
17	215040000103	2	Washer 8-100HV-ZnD GB/T 5287
18	109002030023	1	Plate bending
19	109002030020	1	Plate, bending
20	109002030021	2	Plate bending
21	109002033010	2	Channel plate
22	109002033011	4	PinXJΦ16×34
23	215040003002	4	Rubber pad 16-30-3
24	215040000134	4	Retaining ring

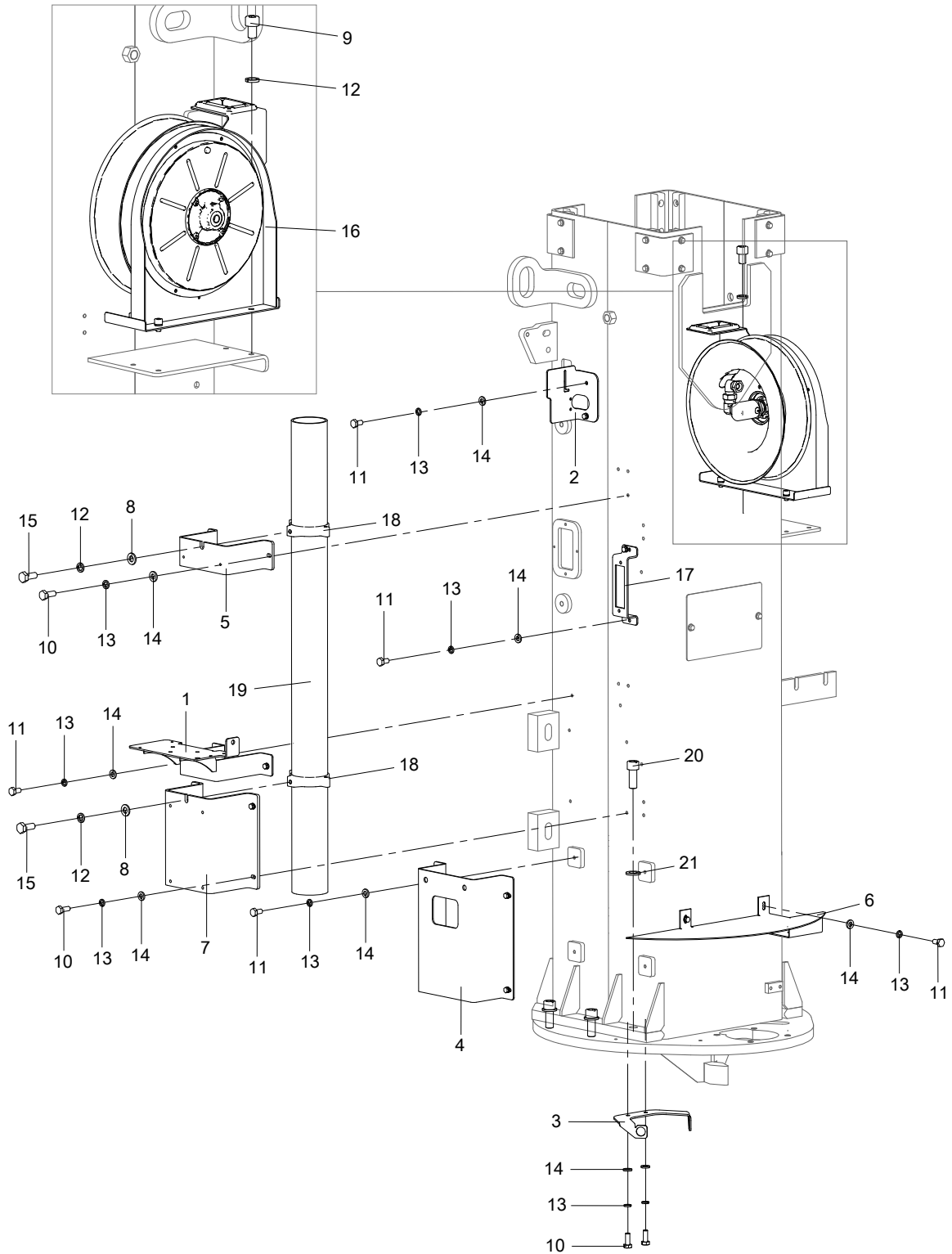
2 TURNTABLE COMPONENTS

2.1 SLEWING BEARING & REDUCER INSTALLATION



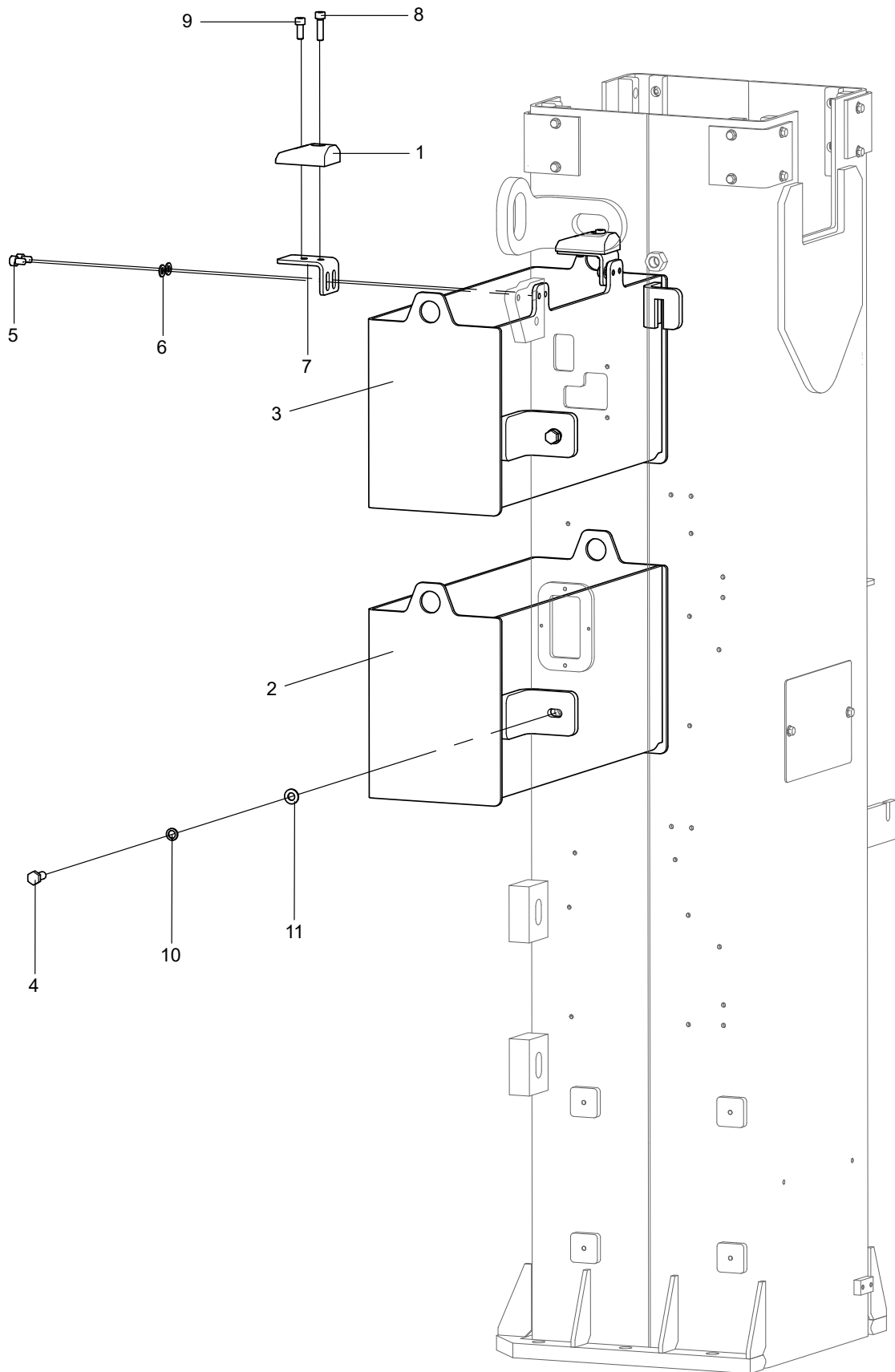
No.	Part No.	Qty.	Description
1	204120000004	1	Slewing bearing
2	215010000221	12	Bolt M14×65-10.9-DKL GB/T 1228
3	215040000007	4	Washer 12-ZnD GB/T 93
4	202020000022	1	Slewing motor
4a	207990003029	1	Seal kit, slewing motor(Not Shown)
5	215020000076	4	Screw M12×35-8.8-ZnD GB/T 70.1
6	109002010012	1	Mount
7	215010000221	12	Bolt M14×65-10.9-DKL GB/T 1228

2.2 TURNTABLE SHIELD INSTALLATION



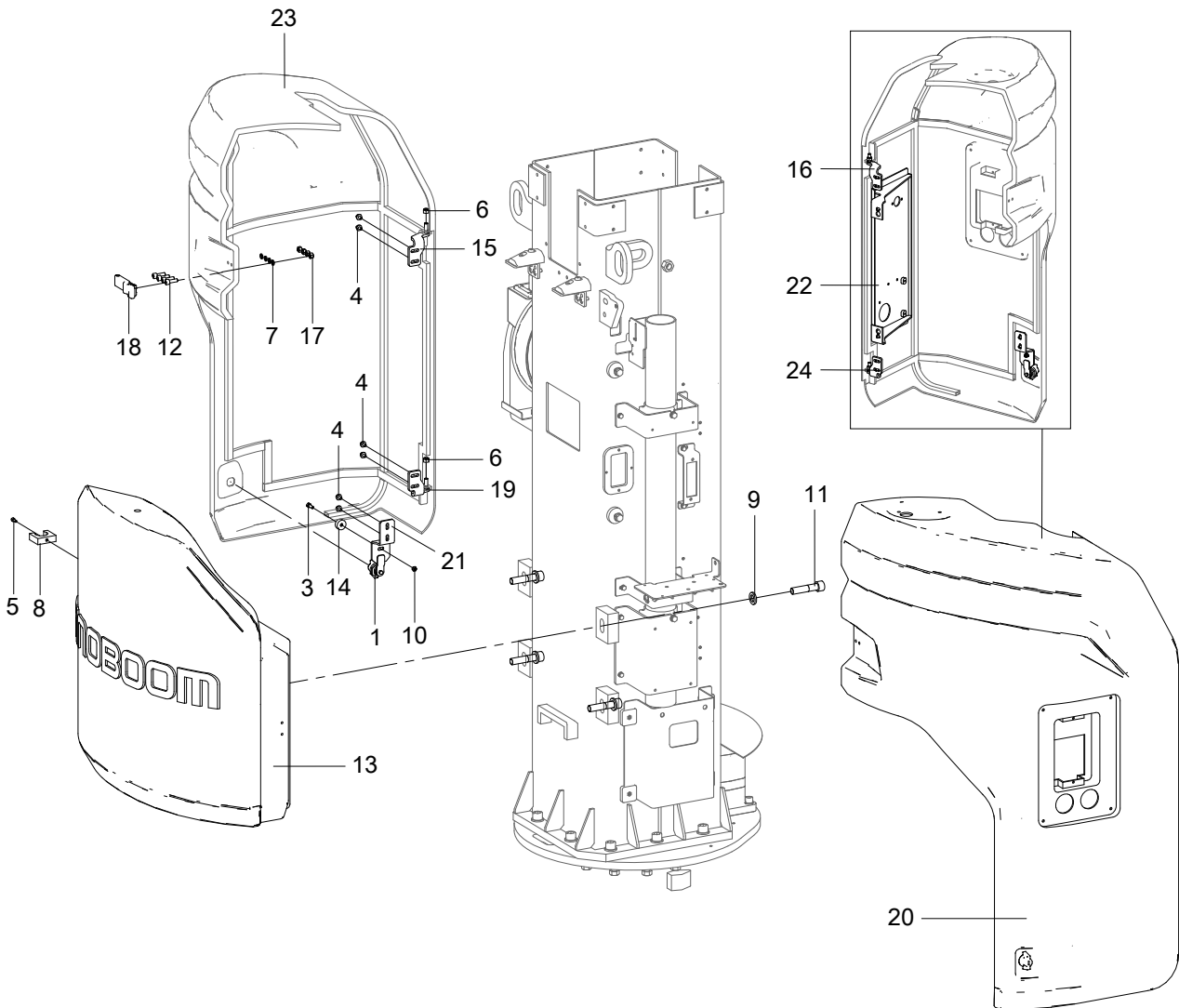
No.	Part No.	Qty.	Description
1	109002023000	1	Mounting plate
2	109002010020	1	Plate, bending
3	109002020002	1	Plate, bending
4	109002010015	1	Plate, bending
5	109002010105	1	Plate, bending
6	109002020003	1	Plate, bending
7	109002010009	1	Plate, bending
8	215040000034	2	Washer 8-200HV-ZnD GB/T 97.1
9	215020000021	4	Screw M8×12-8.8-ZnD GB/T 70.1
10	215010000050	8	Bolt M6×16-A2-70 GB/T 5783
11	215010000049	12	Bolt M6×12-A2-70 GB/T 5783
12	215040000005	6	Washer 8-ZnD GB/T 93
13	215040000004	20	Washer 6-A2-70 GB/T 93
14	215040000033	20	Washer 6-A2 GB/T 97.1
15	215010000057	2	Bolt M8×20-8.8-ZnD GB/T 5783
16	208030003000	1	Reel
17	101028060002	1	Bracket
18	213020000007	2	Clamp
19	213040003000	1	Pipe, plastic
20	215020000083	8	Screw M16×40-10.9-DKL GB/T 70.1
21	215040000039	8	Washer 16-200HV-ZnD GB/T 97.1

2.3 BATTERY HOLDER INSTALLATION



No.	Part No.	Qty.	Description
1	109002023005	2	Pad
2	109002010008	1	Battery box
3	109002020006	1	Battery box
4	215010000069	2	Bolt M10×25-8.8-ZnD GB/T 5783
5	215020000021	4	Screw M8×12-8.8-ZnD GB/T 70.1
6	215040000034	4	Washer 8-200HV-ZnD GB/T 97.1
7	109002023004	2	Plate, bending
8	215020000025	2	Screw M8×30-8.8-ZnD GB/T 70.1
9	215020000023	2	Screw M8×20-8.8-ZnD GB/T 70.1
10	215040000006	2	Washer 10-ZnD GB/T 93
11	215040000035	2	Washer 10-200HV-ZnD GB/T 97.1

2.4 HOODS & COUNTERWEIGHT INSTALLATION

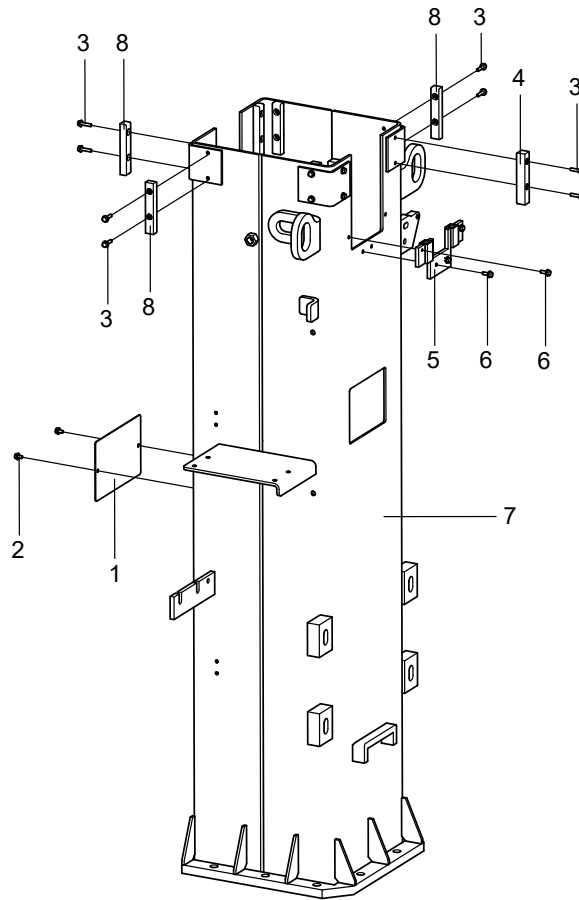


No.	Part No.	Qty.	Description
1	20905000011	2	Door latch, swing tongue
2	215010000050	12	Bolt M6×16-A2-70 GB/T 5783
3	215020000011	2	Screw M6×16-A2-70 GB/T 70.1
4	215010000229	14	Bolt M6×10-8.8-ZnD GB/T 5789
5	215020000006	2	Screw M5×12-A2-70 GB/T 70.1
6	215030000026	4	Nut M8-8-ZnD GB/T889.1
7	215040000003	4	Washer 5-A2-70 GB/T 93
8	216010000005	2	Retainer
9	215040000052	4	Washer 16-DKL GB/T 1230
10	215030000025	2	Nut M6-8-A2-70 GB/T 889.1
11	215020000089	4	Screw M16×70-10.9-DKL GB/T 70.1
12	215020000007	4	Screw M5×16-A2-70 GB/T 70.1

No.	Part No.	Qty.	Description
13	109001020018	1	Counterweight
14	109001020019	2	Gasket, rubber
15	109001020021	1	Bracket
16	109001020024	1	Bracket
17	215030000003	4	Nut M5-A2-70 GB/T 6170
18	209050000026	1	Buckle
19	109001020002	1	Bracket
20	109001020017	1	Turntable cover, LH
21	109001020020	2	Plate, bending
22	109002023016	1	Bracket
23	109001020011	1	Turntable cover, right
24	109001020009	1	Bracket

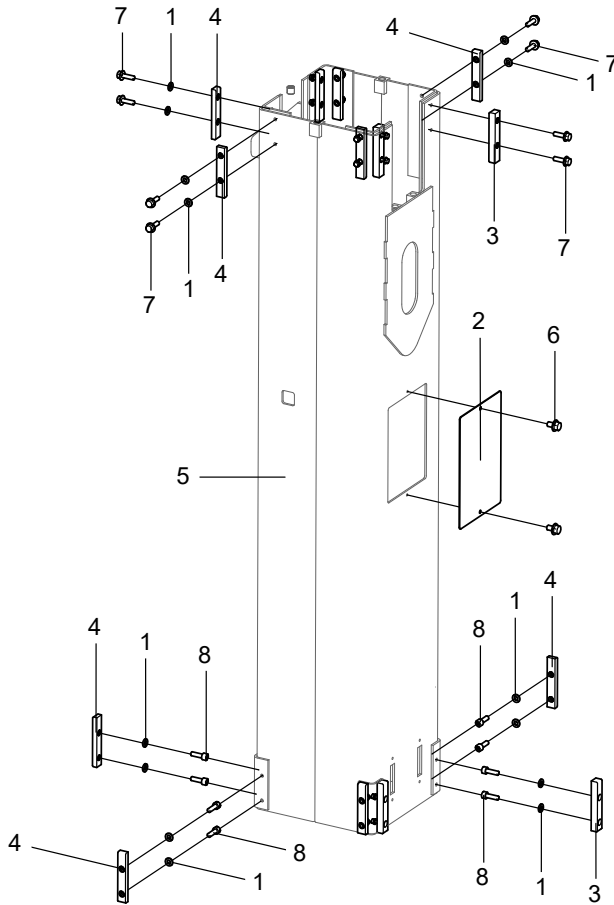
3 BOOM COMPONENTS

3.1 BASE BOOM INSTALLATION



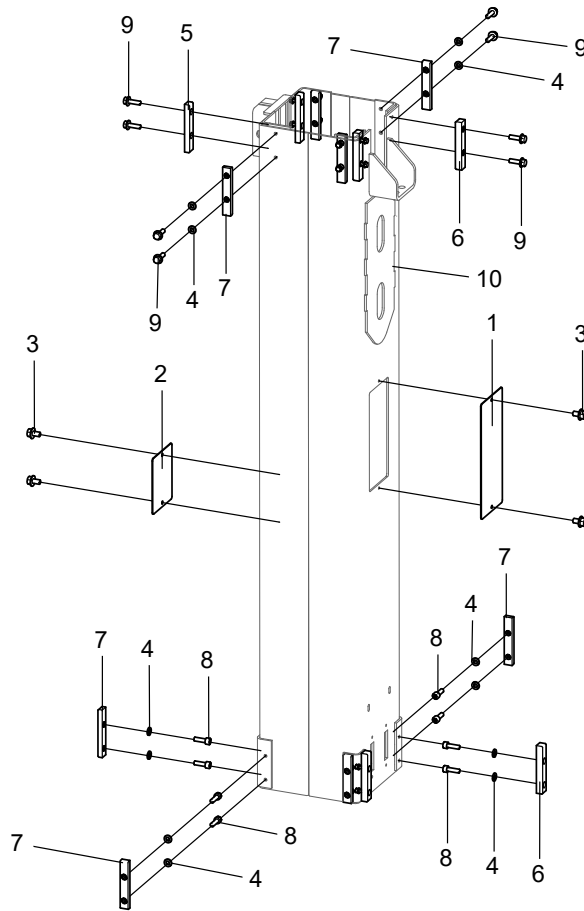
No.	Part No.	Qty.	Description
1	109002010095	1	Cover
2	215010000229	2	Bolt M6×10-8.8-ZnD GB/T 5789
3	215010000232	16	Bolt M6×25-8.8-ZnD GB/T 5789
4	109002013008	2	Wear pad assembly
5	109002010118	1	Mount, steel cable
6	215010000230	4	Bolt M6×16-8.8-ZnD GB/T 5789
7	109002010056	1	Base boom
8	109002013009	6	Wear pad assembly

3.2 TELESCOPIC BOOM 1 INSTALLATION



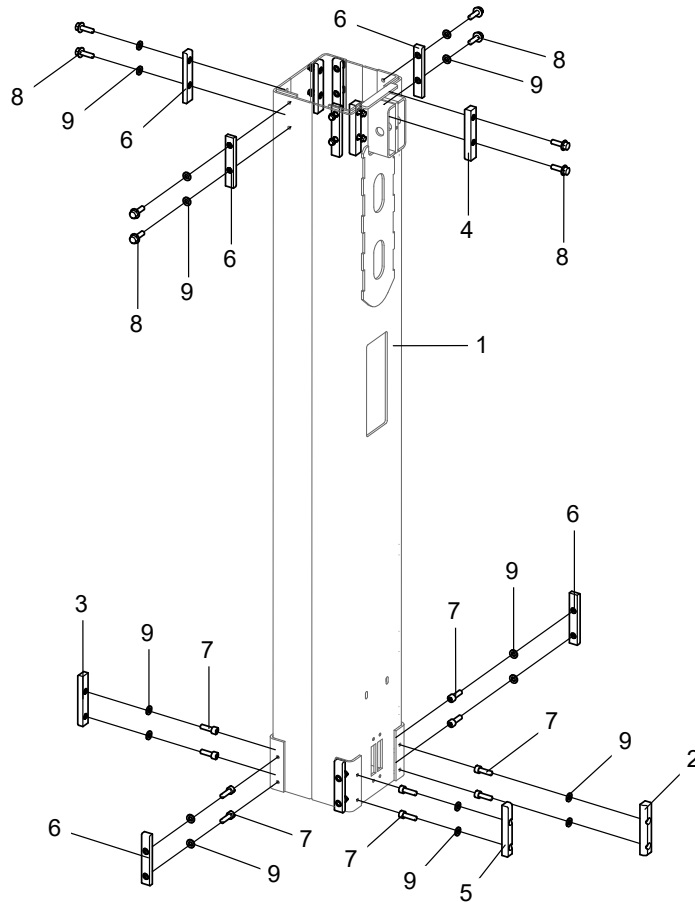
No.	Part No.	Qty.	Description
1	21504000033	28	Washer 6-A2 GB/T 97.1
2	109002010099	1	Cover
3	109002013009	4	Wear pad assembly
4	109002013007	12	Wear pad assembly
5	109002010072	1	Telescopic boom, #1
6	215010000229	2	Bolt M6×10-8.8-ZnD GB/T 5789
7	215010000231	16	Bolt M6×20-8.8-ZnD GB/T 5789
8	215020000012	16	Screw M6×20-A2-70 GB/T 70.1

3.3 TELESCOPIC BOOM 2 INSTALLATION



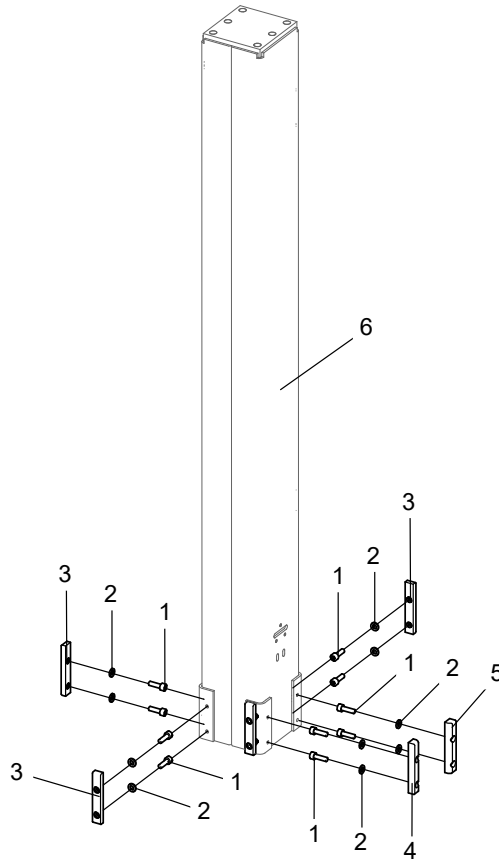
No.	Part No.	Qty.	Description
1	109002010094	1	Cover
2	109002010093	1	Cover
3	215010000229	4	Bolt M6×10-8.8-ZnD GB/T 5789
4	215040000033	24	Washer 6-A2 GB/T 97.1
5	109002013011	2	Wear pad assembly
6	109002013009	4	Wear pad assembly
7	109002013007	10	Wear pad assembly
8	215020000012	16	Screw M6×20-A2-70 GB/T 70.1
9	215010000231	16	Bolt M6×20-8.8-ZnD GB/T 5789
10	109002010074	1	Telescopic boom, #2

3.4 TELESCOPIC BOOM 3 INSTALLATION



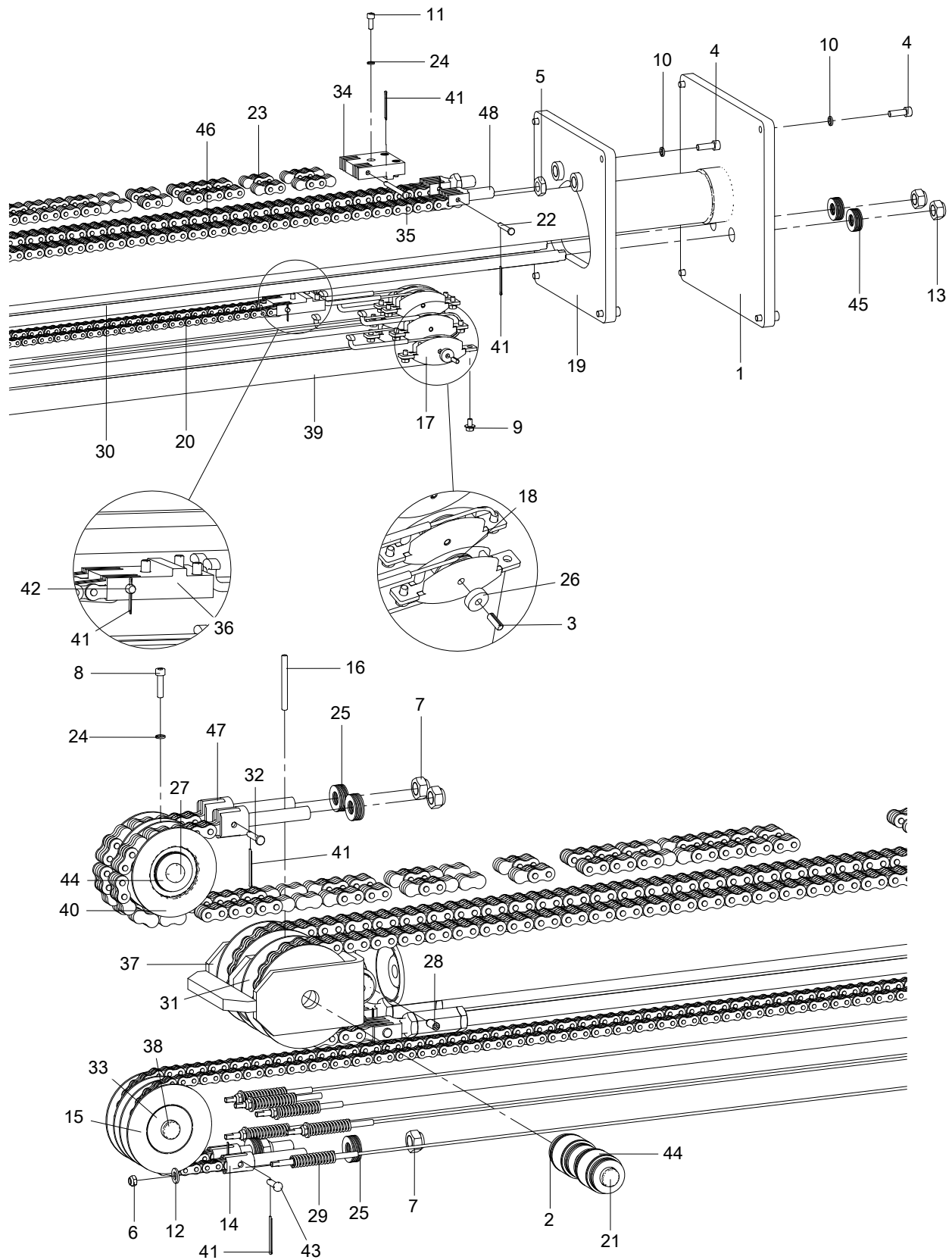
No.	Part No.	Qty.	Description
1	109002010058	1	Telescopic boom, #3
2	109002013010	1	Wear pad assembly
3	109002013011	2	Wear pad assembly
4	109002013009	2	Wear pad assembly
5	109002013038	1	Wear pad assembly
6	109002013007	10	Wear pad assembly
7	215020000012	16	Screw M6×20-A2-70 GB/T 70.1
8	215010000231	16	Bolt M6×20-8.8-ZnD GB/T 5789
9	215040000033	28	Washer 6-A2 GB/T 97.1

3.5 TELESCOPIC BOOM 3 INSTALLATION



No.	Part No.	Qty.	Description
1	215020000012	16	Screw M6×20-A2-70 GB/T 70.1
2	215040000033	16	Washer 6-A2 GB/T 97.1
3	109002013007	6	Wear pad assembly
4	109002013038	1	Wear pad assembly
5	109002013010	1	Wear pad assembly
6	109002010090	1	Telescopic boom, #4

3.6 TELESCOPIC MECHANISM



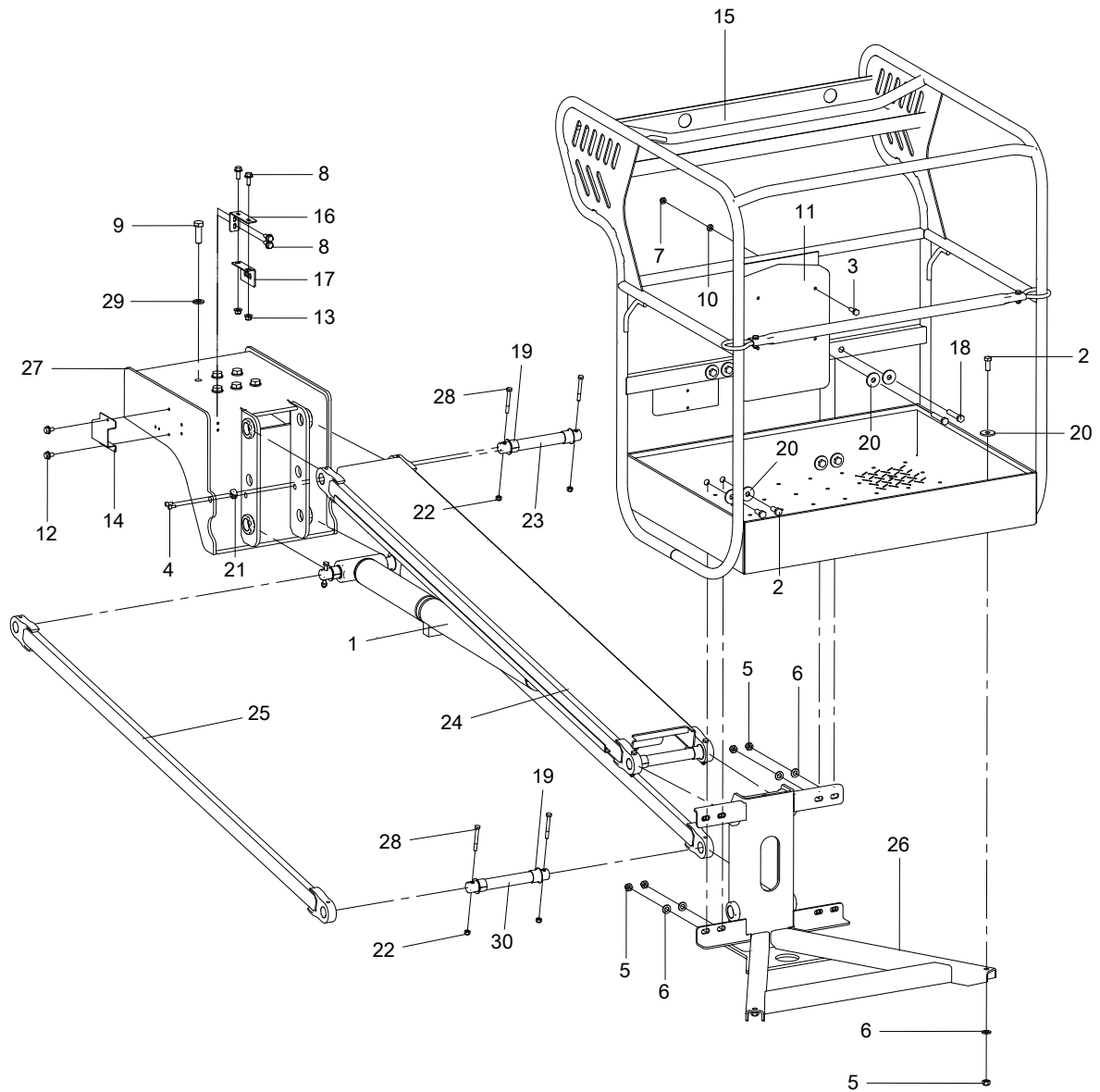
No.	Part No.	Qty.	Description
1	109002010106	1	Lift cylinder(B)
1a-1	207990003022	1	Seal kit, cylinder(1000122)
1a-2	207990003023	1	Seal kit, cylinder(1000145)
2	215040000041	12	Washer 20-200HV-ZnD GB/T 97.1
3	215060000082	6	Cotter pin 6×16 GB/T 879.2
4	215020000024	8	Screw M8×25-8.8-ZnD GB/T 70.1
5	215030000019	2	Nut M16-ZnD GB/T 6172.1
6	215030000025	6	Nut M6-8-A2-70 GB/T 889.1
7	215030000080	4	Nut M14-8-ZnD GB/T 6184
8	215020000013	2	Screw M6×25-A2-70 GB/T 70.1
9	215010000229	12	Bolt M6×10-8.8-ZnD GB/T 5789
10	215040000005	8	Washer 8-ZnD GB/T 93
11	215020000011	6	Screw M6×16-A2-70 GB/T 70.1
12	215040000034	6	Washer 8-200HV-ZnD GB/T 97.1
13	215030000031	2	Nut M16-8-ZnD GB/T 6184
14	109002010040	2	Connecting head
15	109002010007	2	Roller
16	215060000072	1	Pin 6×60 GB/T 879.2
17	109002010114	6	Retainer
18	109002010004	6	Roller
19	109002010041	1	Plate, fixing
20	204090000013	2	Chain, plate type
21	109002010026	1	Pin XGΦ20-132
22	109002013000	4	Clevis pin XJΦ6-40
23	204090000012	2	Chain, plate type
24	215040000004	8	Washer 6-A2-70 GB/T 93
25	210060000001	24	Disc spring A28-2 GB/T 1972
26	214010000024	6	Roller bearing
27	109002010027	1	Pin XGΦ20-83
28	215020000192	4	Screw M8×20-45H GB/T 79
29	109002010076	6	Spring
30	109002010006	2	Connecting rod
31	109002010039	2	Roller
32	109002013003	2	Clevis pin XJΦ6-29
33	214010000023	2	Roller bearing
34	109002010001	1	Connecting plate
35	109002013002	1	Clevis pin XJΦ6-70

No.	Part No.	Qty.	Description
36	109002010005	1	Connecting plate
37	109002010021	1	Roller bracket
38	109002010028	1	Pin XGΦ20-70
39	109002010038	6	Retract cable
40	109002010033	2	Roller
41	215060000002	10	Pin 1.6×20-ZnD GB/T 91
42	109002013001	1	Clevis pin XJΦ6-55
43	110001013000	2	Clevis pin XJΦ6-23
44	214010000022	4	Roller bearing
45	210060000002	12	Disc spring A31.5-2 GB/T 1972
46	204090000014	2	Chain, plate type
47	109002010002	2	Connecting head
48	109002010025	2	Connecting head

This Page Intentionally Left Blank

4 JIB BOOM INSTALLATION

4.1 JIB BOOM INSTALLATION

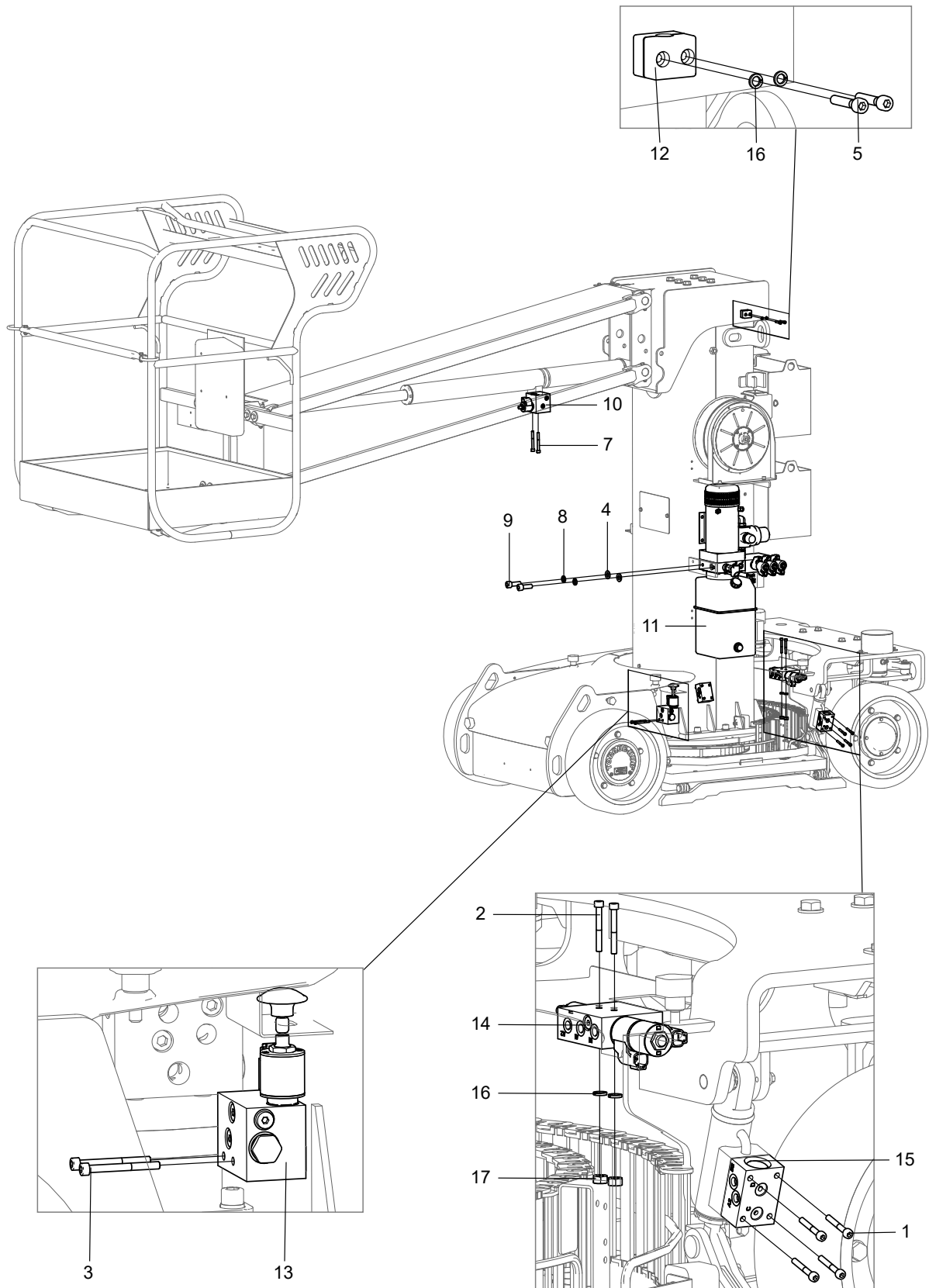


No.	Part No.	Qty.	Description
1	109002040048	1	Cylinder, jib(B)
1a-1	207990003021	1	Seal kit, cylinder(1000122)
1a-2	207990003026	1	Seal kit, cylinder(1000145)
2	215010000090	6	Bolt M12×30-8.8-ZnD GB/T 5783
3	215010000051	4	Bolt M6×20-A2-70 GB/T 5783
4	215020000001	2	Screw M4×10-A2-70 GB/T 70.1
5	215030000029	10	Nut M12-8-ZnD GB/T 6184
6	215040000037	10	Washer 12-200HV-ZnD GB/T 97.1
7	215030000025	4	Nut M6-8-A2-70 GB/T 889.1
8	215010000230	4	Bolt M6×16-8.8-ZnD GB/T 5789
9	215010000115	6	Bolt M16×50-10.9-DKL GB/T 5783
10	215040000033	4	Washer 6-A2 GB/T 97.1
11	216070000001	1	Manual storage container
12	215010000229	2	Bolt M6×10-8.8-ZnD GB/T 5789
13	215030000107	2	Nut M6-8-ZnD GB/T 6183
14	109002043001	1	Channel plate
15	109002040033	1	Platform
16	109002043003	1	Plate, bending
17	109002043004	1	Plate, bending
18	215010000104	4	Bolt M12×65-8.8-ZnD GB/T 5783
19	214030000031	8	Bearing
20	107001040052	10	Washer
21	101016010062	1	Flange
22	215030000026	8	Nut M8-8-ZnD GB/T889.1
23	109002040031	1	Pin XGΦ30-252
24	109002040012	1	Jib, upper
25	109002040022	2	Support, jib
26	109002040016	1	Support, platform
27	109002040020	1	Mount, jib
28	215010000005	8	Bolt M8×70-8.8-ZnD GB/T 5782
29	215040000039	6	Washer 16-200HV-ZnD GB/T 97.1
30	109002043000	3	Pin XGΦ30-252

This Page Intentionally Left Blank

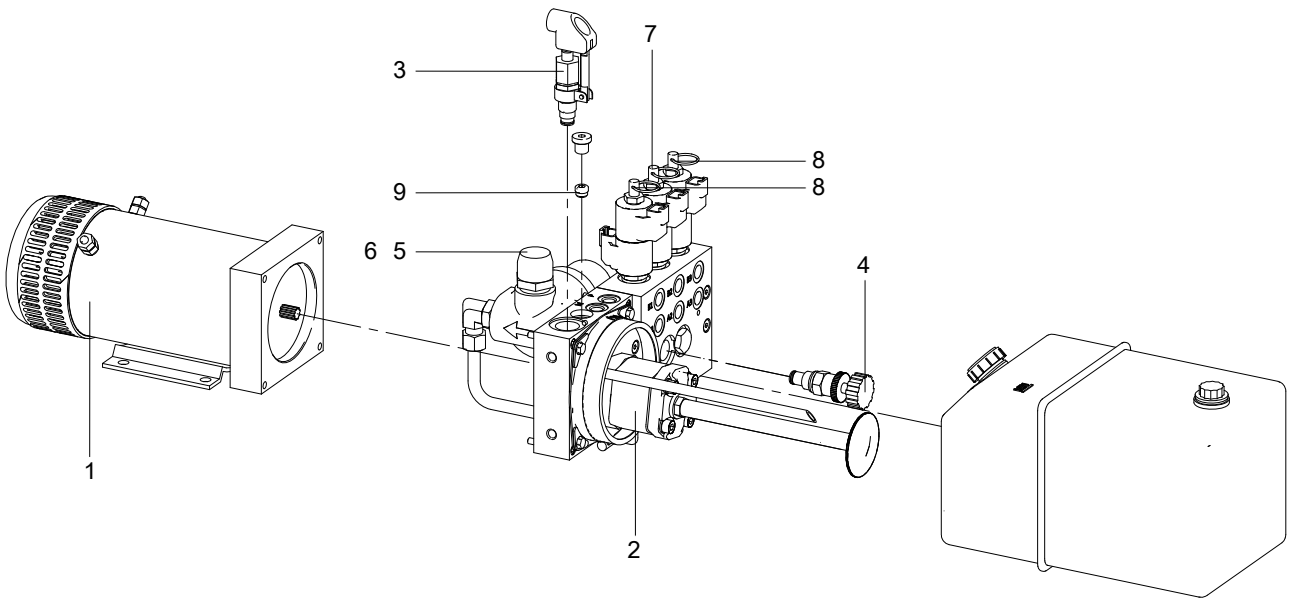
5 HYDRAULIC SYSTEM

5.1 HYDRAULIC INSTALLATION



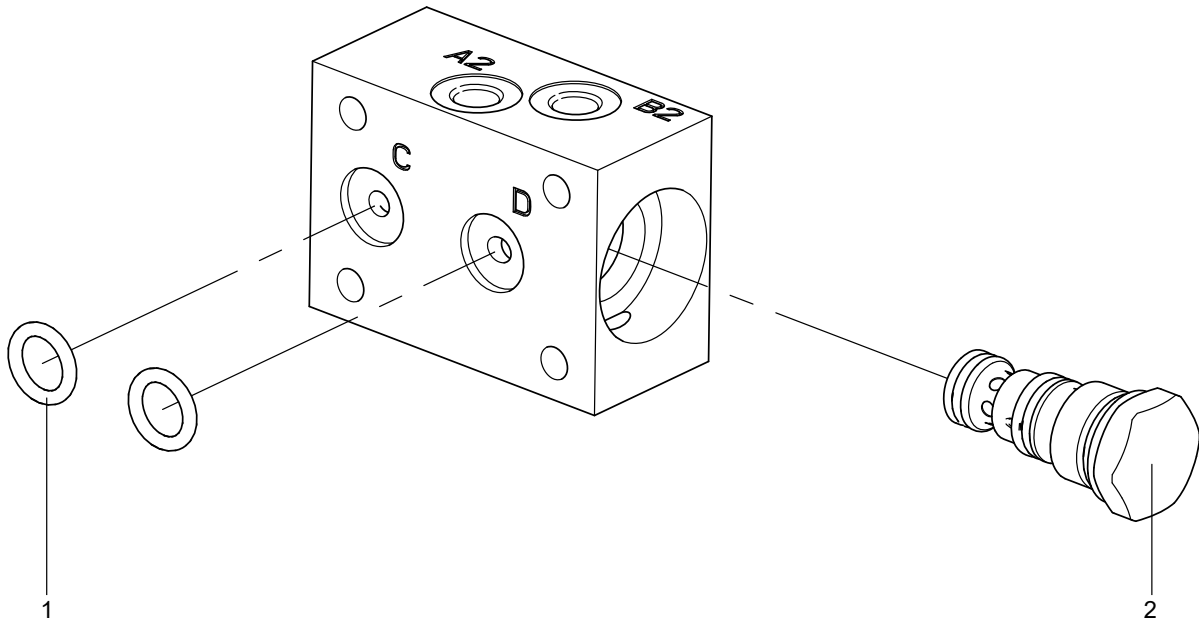
No.	Part No.	Qty.	Description
1	215020000016	8	Screw M6×40-A2-70 GB/T 70.1
2	215020000018	2	Screw M6×50-A2-70 GB/T 70.1
3	215020000020	2	Screw M6×60-A2-70 GB/T 70.1
4	215040000035	2	Washer 10-200HV-ZnD GB/T 97.1
5	215020000014	2	Screw M6×30-A2-70 GB/T 70.1
6	215040000033	4	Washer 6-A2 GB/T 97.1
7	215020000042	2	Screw M8×70-10.9-DKL GB/T 70.1
8	215040000006	2	Washer 10-ZnD GB/T 93
9	215020000050	2	Screw M10×30-8.8-ZnD GB/T 70.1
10	202040003002	1	Jib control valve
11	202010000043	1	Power unit
12	216010003019	1	Clamp
13	202040003004	1	Lift control valve
14	202040003006	1	Pothole control valve
15	202040003007	2	Check valve, hydraulic-operated
16	215040000004	14	Washer 6-A2-70 GB/T 93
17	215030000004	2	Nut M6-A2-70 GB/T 6170

5.2 POWER UNIT (PN.202010000043)



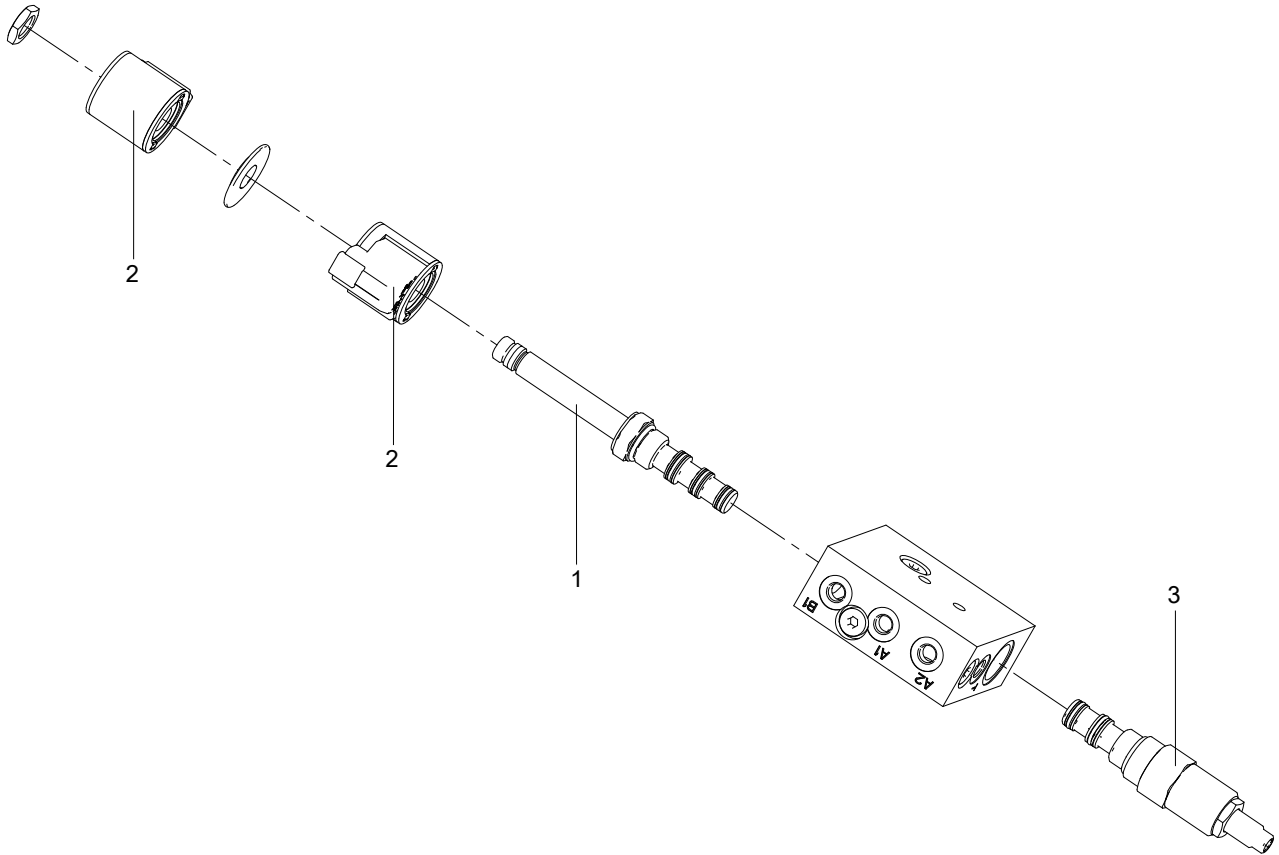
No.	Part No.	Qty.	Description
1a	203990003013	1	Carbon brush(Not Shown)
1	203010003041	1	Motor
2a	207990003033	1	Seal kit, Gear pump
2	202010003064	1	Gear pump
3	202010003065	1	Manual pump
4	202990003072	1	Relief valve
5	202080003009	1	Filter
6	202080003010	1	Filter element
7	202990000026	1	Solenoid valve spool
8	202990000025	2	Solenoid valve spool
9	202990003075	1	Check valve, tube type

**5.3 CHECK VALVE, HYDRAULIC-OPERATED
(PN.202040003007)**



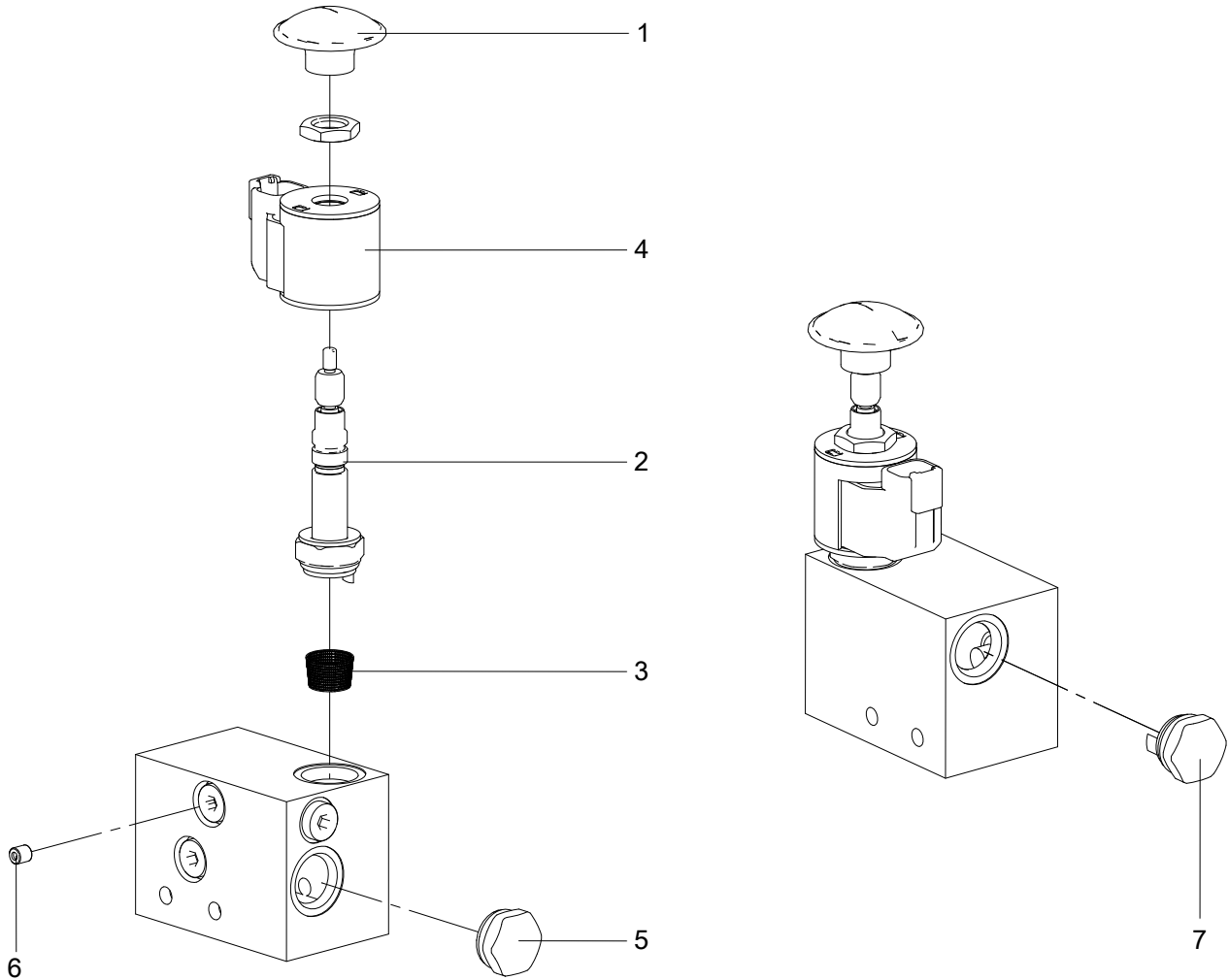
No.	Part No.	Qty.	Description
1	207040003003	2	O-ring
2	202990003069	1	Check valve, hydraulic-operated

5.4 POTHOLE CONTROL VALVE (PN.202040003006)



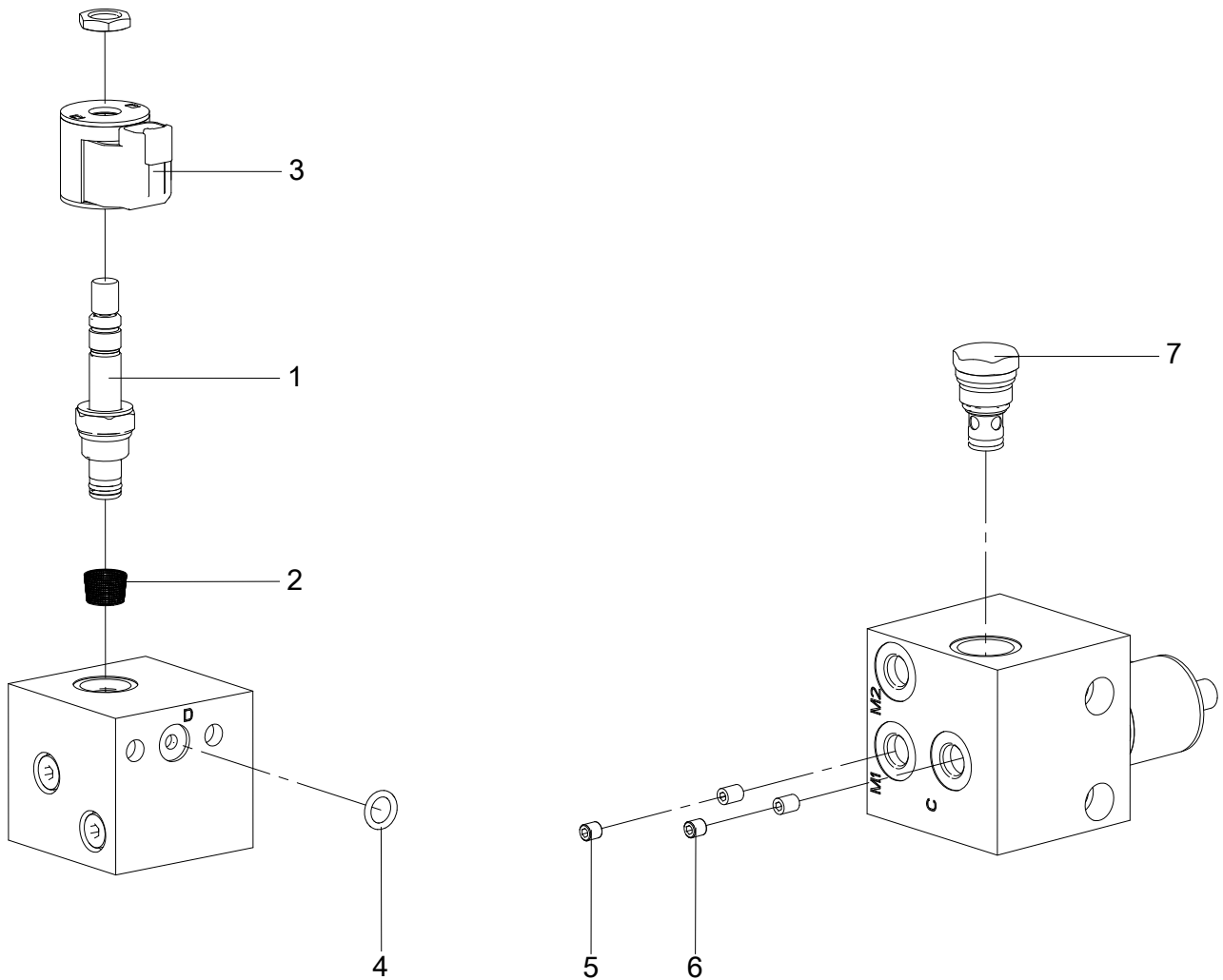
No.	Part No.	Qty.	Description
1	202040000399	1	Solenoid valve
2	202990000039	2	Coil
3	202990003068	1	Reducing valve

5.5 LIFT CONTROL VALVE (PN.202040003004)



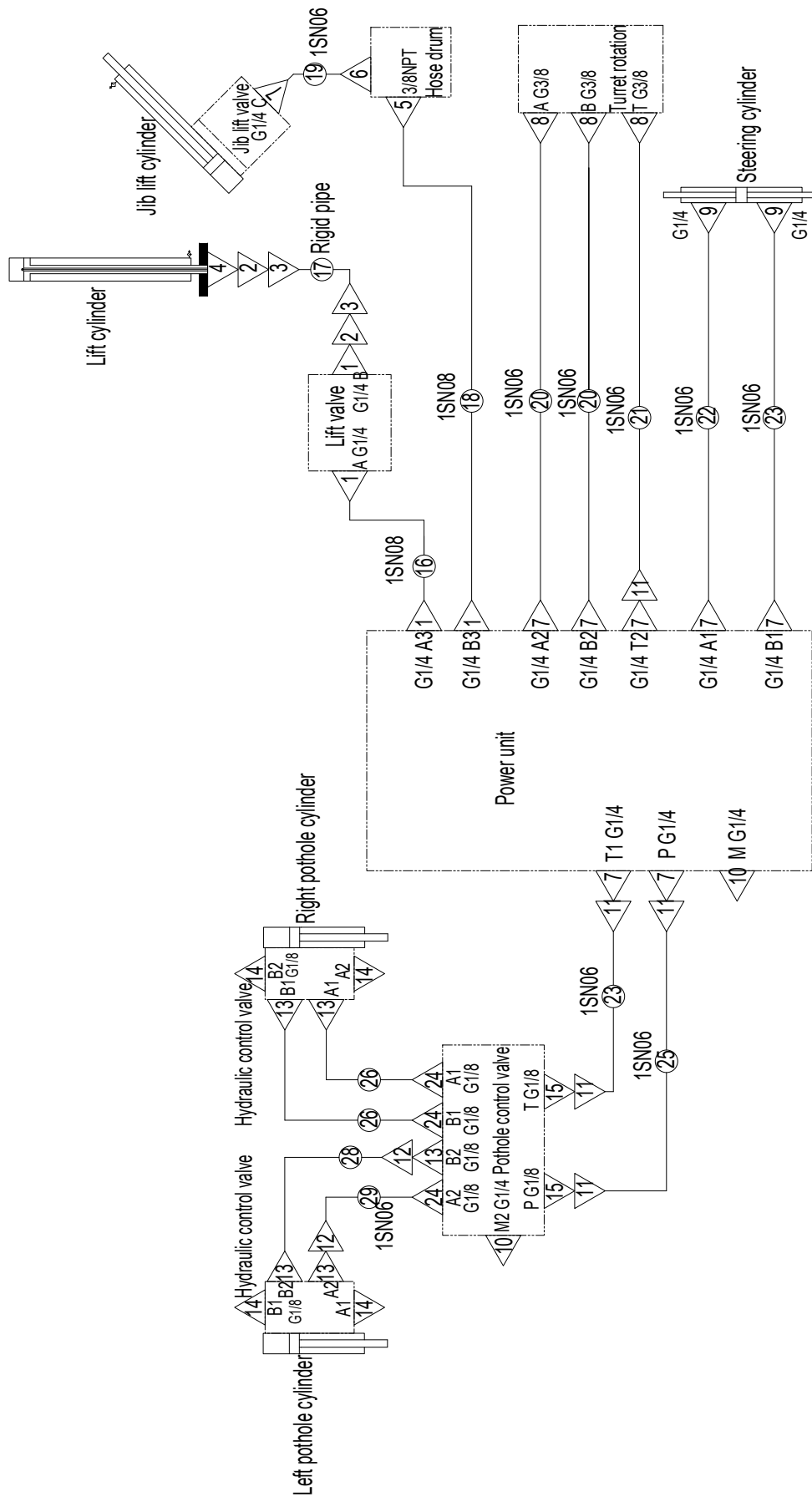
No.	Part No.	Qty.	Description
1	202990003070	1	Handle
2	202990000031	1	Solenoid valve spool, lower lifting
3	202080003007	1	Filter screen
4	202990000039	1	Coil
5	202990003067	1	Check valve
6	202130003007	1	Damper
7	202990003071	1	Check valve

5.6 JIB CONTROL VALVE (PN.202040003002)



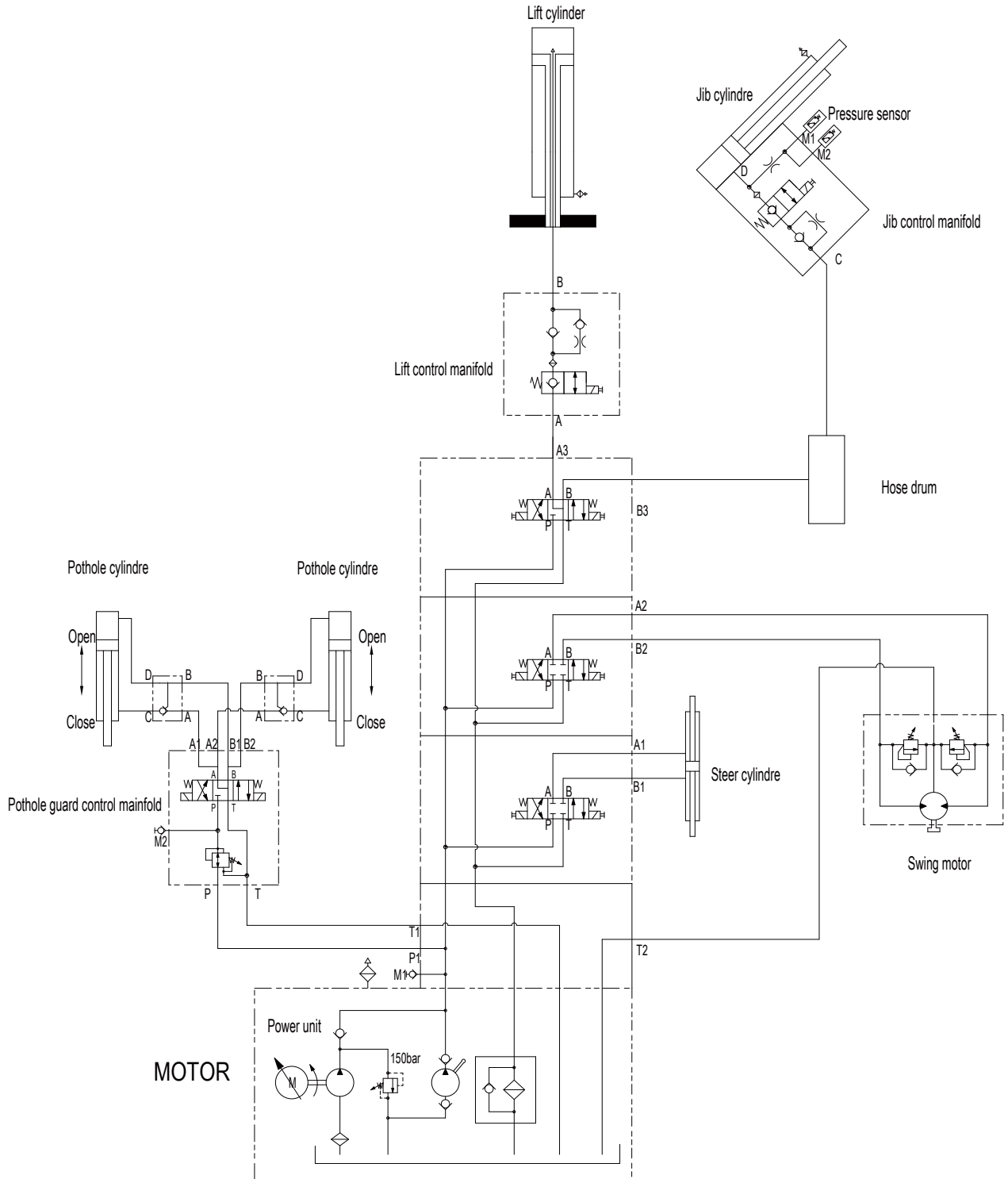
No.	Part No.	Qty.	Description
1	202990003066	1	Solenoid valve
2	202080003007	1	Filter screen
3	202990000039	1	Coil
4	207040003003	1	O-ring
5	202130000007	2	Damper plug
6	202130000005	2	Damper plug
7	202990003071	1	Check valve

5.7 HYDRAULIC TUBES LAYOUT



No.	Part No.	Qty.	Description
	109002050004	1	Hydraulic piping diagrams
1	213010000012	4	Fitting
2	213020000003	2	Ferrule
3	213020000004	2	Nut, ferrule type
4	213010000204	1	Fitting
5	213010000207	1	Fitting
6	213010000139	1	Fitting
7	213010000007	8	Fitting
8	213010000047	3	Fitting
9	213010000146	2	Fitting
10	213010000010	2	Fitting
11	213010000024	5	Fitting
12	213010000205	2	Fitting
13	213010000097	5	Fitting
14	213060000015	4	Plug
15	213010000068	2	Fitting
16	213050000751	1	Hose
17	109002050005	1	Tube
18	213050000748	1	Hose
19	213050000457	1	Hose
20	213050000850	2	Hose
21	213050001357	1	Hose
22	213050001234	1	Hose
23	213050001045	2	Hose
24	213010000244	3	Fitting
25	213050001236	1	Hose
26	213050001539	2	Hose
28	213050001153	1	Hose
29	213050001158	1	Hose

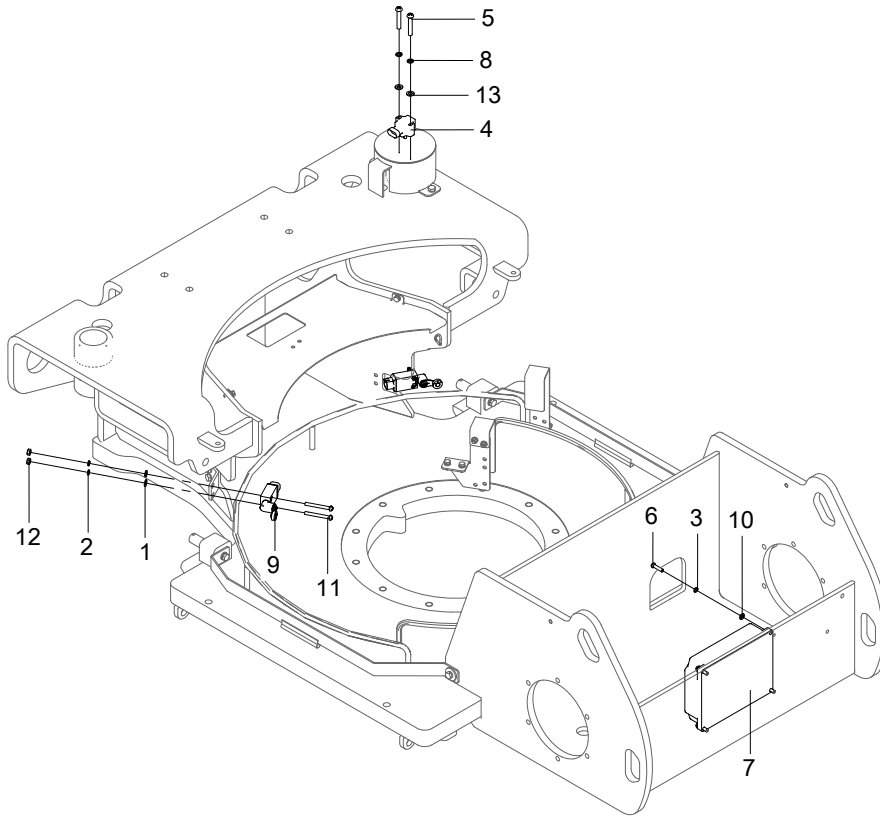
5.8 HYDRAULIC SCHEMATIC



This Page Intentionally Left Blank

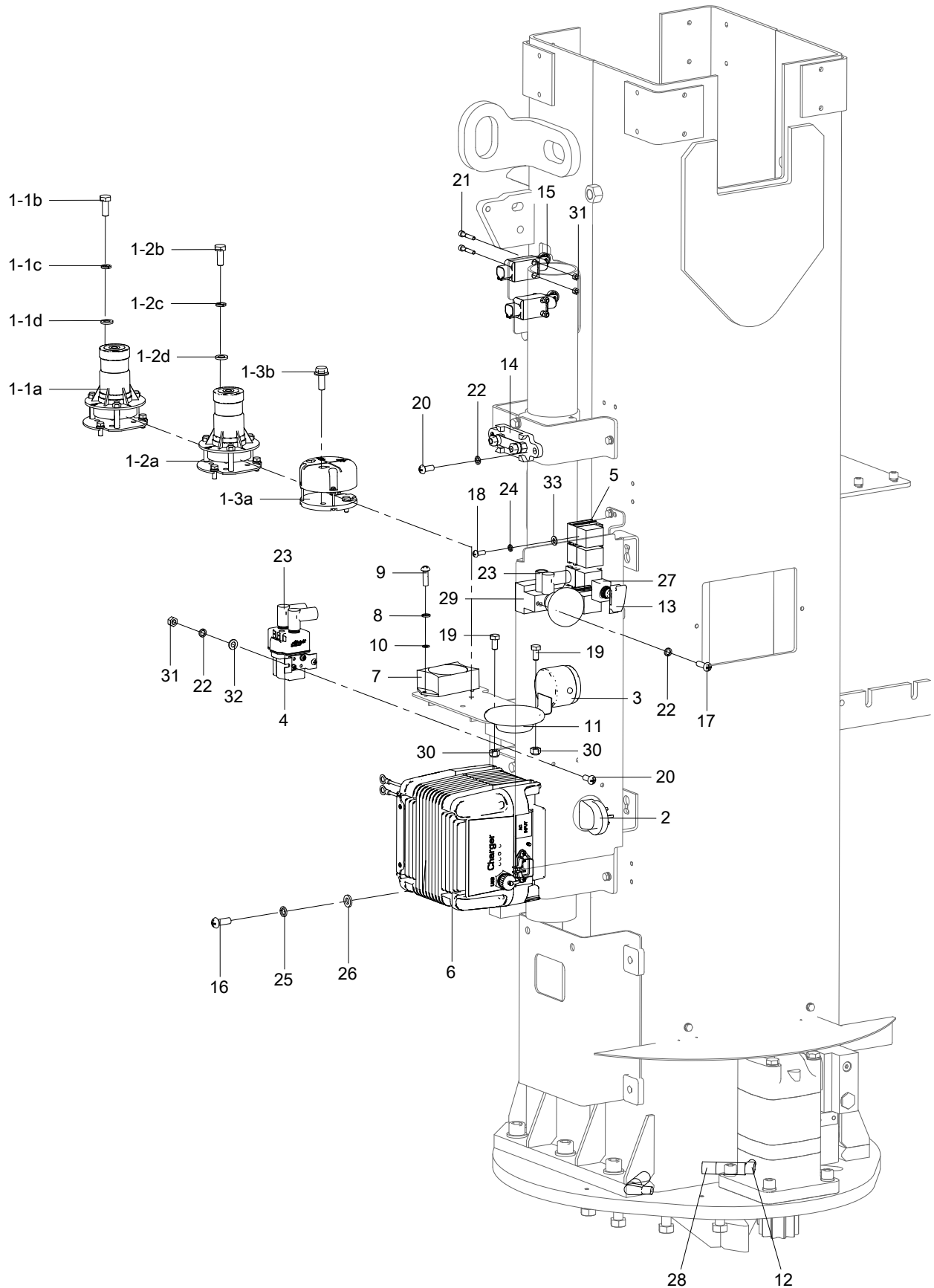
6 ELECTRICAL SYSTEM

6.1 CHASSIS ELECTRICAL COMPONENTS INSTALLATION



No.	Part No.	Qty.	Description
1	215040000031	4	Washer 4-A2 GB/T 97.1
2	215040000002	4	Washer 4-A2-70 GB/T 93
3	215040000004	4	Washer 6-A2-70 GB/T 93
4	203150000046	1	Angle sensor
5	215020000114	2	Screw M5×30-A2-70 GB/T 818
6	215020000118	4	Screw M6×25-A2-70 GB/T 818
7	203020000060	1	Motor controller
8	215040000003	2	Washer 5-A2-70 GB/T 93
9	203060000146	2	Travel switch
10	215040000033	4	Washer 6-A2 GB/T 97.1
11	215020000212	4	Screw M4×35-A2-70 GB/T 818
12	215030000002	4	Nut M4-8-A2-70 GB/T 6170
13	215040000032	2	Washer 5-A2 GB/T 97.1
14	203080003236	1	Cable, drive motor(Not shown)

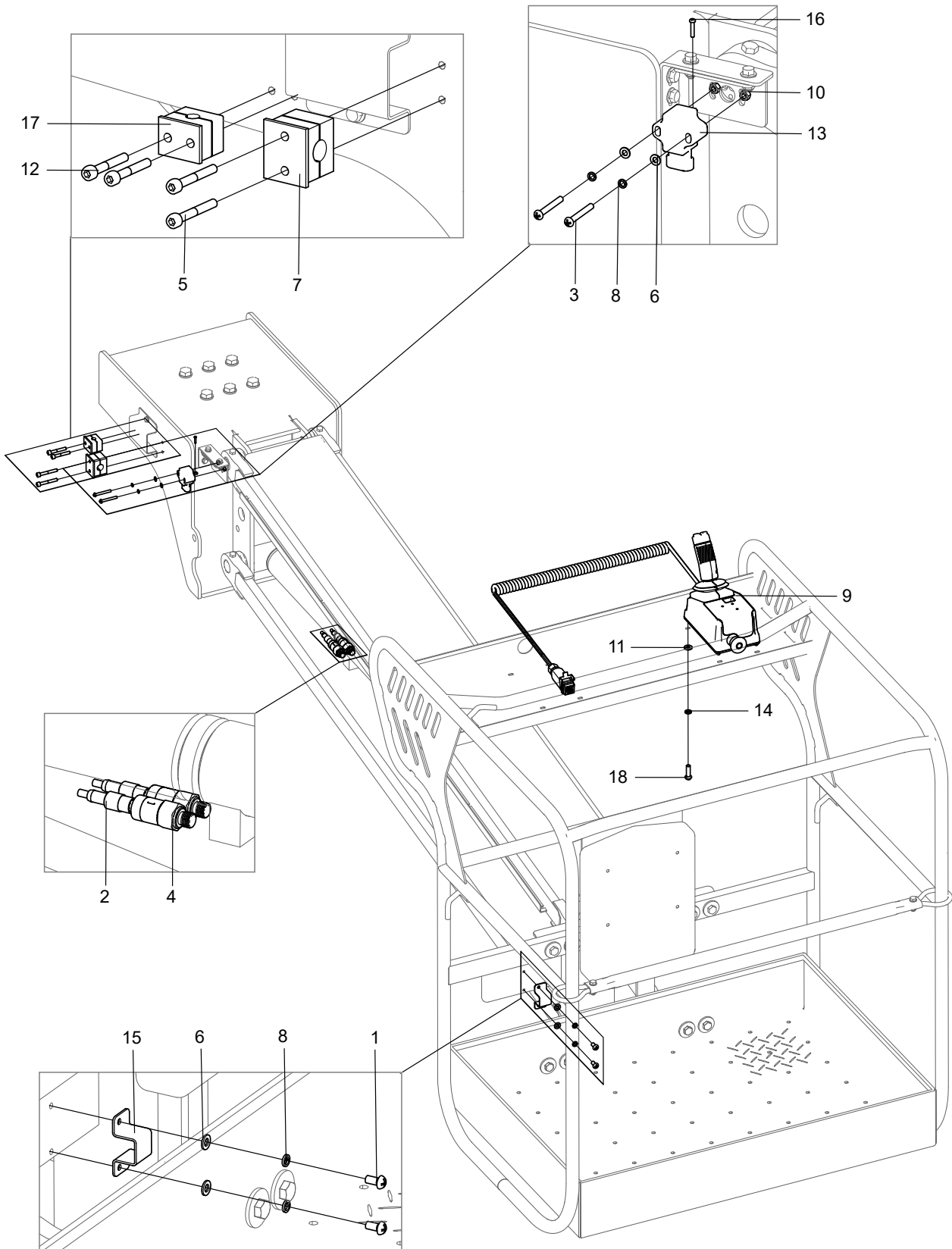
6.2 TURNTABLE ELECTRICAL COMPONENTS INSTALLATION



No.	Part No.	Qty.	Description
1	109002063003	1	Options, Level switch
1-1a	203060003034	1	Level sensor
1-1b	215010000050	3	Bolt M6×16-A2-70 GB/T 5783
1-1c	215040000004	3	Washer 6-A2-70 GB/T 93
1-1d	215040000033	3	Washer 6-A2 GB/T 97.1
1-2a	203150000037	1	Level sensor(1000167)
1-2b	215010000050	3	Bolt M6×16-A2-70 GB/T 5783
1-2c	215040000004	3	Washer 6-A2-70 GB/T 93
1-2d	215040000033	3	Washer 6-A2 GB/T 97.1
1-3a	203060003039	1	Level sensor
1-3b	215010000230	3	Bolt M6×16-8.8-ZnD GB/T 5789
2	101020060007	1	Options, Charger cord and plug
2-1	101055063062	1	Charger cord and plug(Australian new specs)
2-2	203080000173	1	Charger cord and plug(Type M, Macao specs)
2-3	203080000174	1	Charger cord and plug(Type J, Swiss specs)
2-4	203080000175	1	Charger cord and plug(Type I, China and Australian specs)
2-5	203080000176	1	Charger cord and plug(Type B, Americag and South America specs)
2-6	203080000177	1	Charger cord and plug(Type E+F, European and Brazilian specs)
2-7	203080000178	1	Charger cord and plug(Type G, HongKong and Middle East specs)
2-8	203080000319	1	Charger cord and plug(Type L, South America specs)
3	203050000002	1	Reverse alarm
4	203040000023	1	Contactator
5	203040000001	4	Relay
6	203100000025	1	Charger
7	203060003035	1	Level sensor
8	215040000003	2	Washer 5-A2-70 GB/T 93
9	215020000111	2	Screw M5×16-A2-70 GB/T 818
10	215040000032	2	Washer 5-A2 GB/T 97.1
11	203050000012	1	Horn
12	203080000005	2	Plug, with cable
13	203060000150	1	Guard, toggle switch
14	203070000043	1	Fuse holder, with 275A fuse
15	203060000146	2	Travel switch
16	215020000116	4	Screw M6×16-A2-70 GB/T 818
17	215020000111	2	Screw M5×16-A2-70 GB/T 818
18	215020000104	2	Screw M4×10-A2-70 GB/T 818
19	215010000056	2	Bolt M8×16-8.8-ZnD GB/T 5783

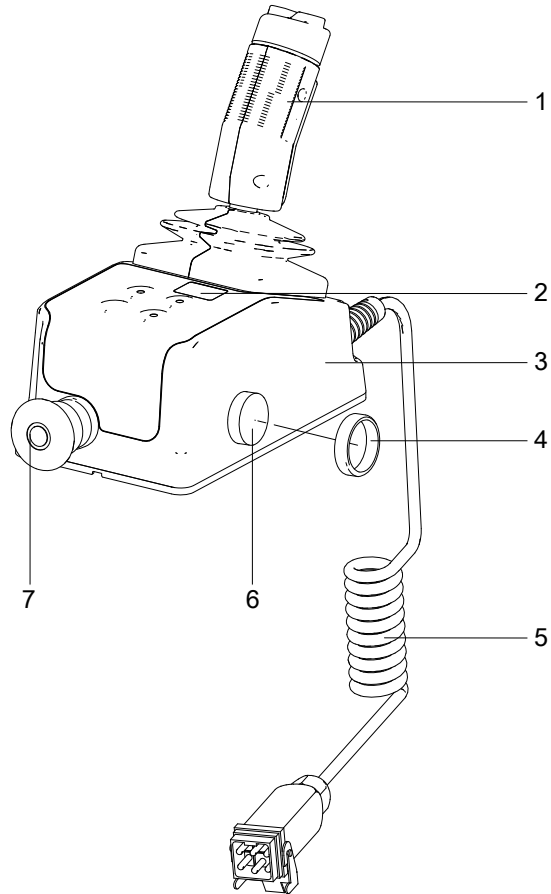
No.	Part No.	Qty.	Description
20	215020000110	4	Screw M5×12-A2-70 GB/T 818
21	215020000009	4	Screw M5×30-A2-70 GB/T 70.1
22	215040000003	6	Washer 5-A2-70 GB/T 93
23	203080000004	6	Connector, PVC
24	215040000002	2	Washer 4-A2-70 GB/T 93
25	215040000004	4	Washer 6-A2-70 GB/T 93
26	2150400000033	4	Washer 6-A2 GB/T 97.1
27	203060000003	1	Switch, toggle
28	2030600000011	2	Proximity switch
29	2030600000024	1	Power-off switch
30	2150300000026	2	Nut M8-8-ZnD GB/T889.1
31	2150300000003	6	Nut M5-A2-70 GB/T 6170
32	2150400000032	2	Washer 5-A2 GB/T 97.1
33	2150400000031	2	Washer 4-A2 GB/T 97.1

6.3 PLATFORM & JIB ELECTRICAL COMPONENTS INSTALLATION



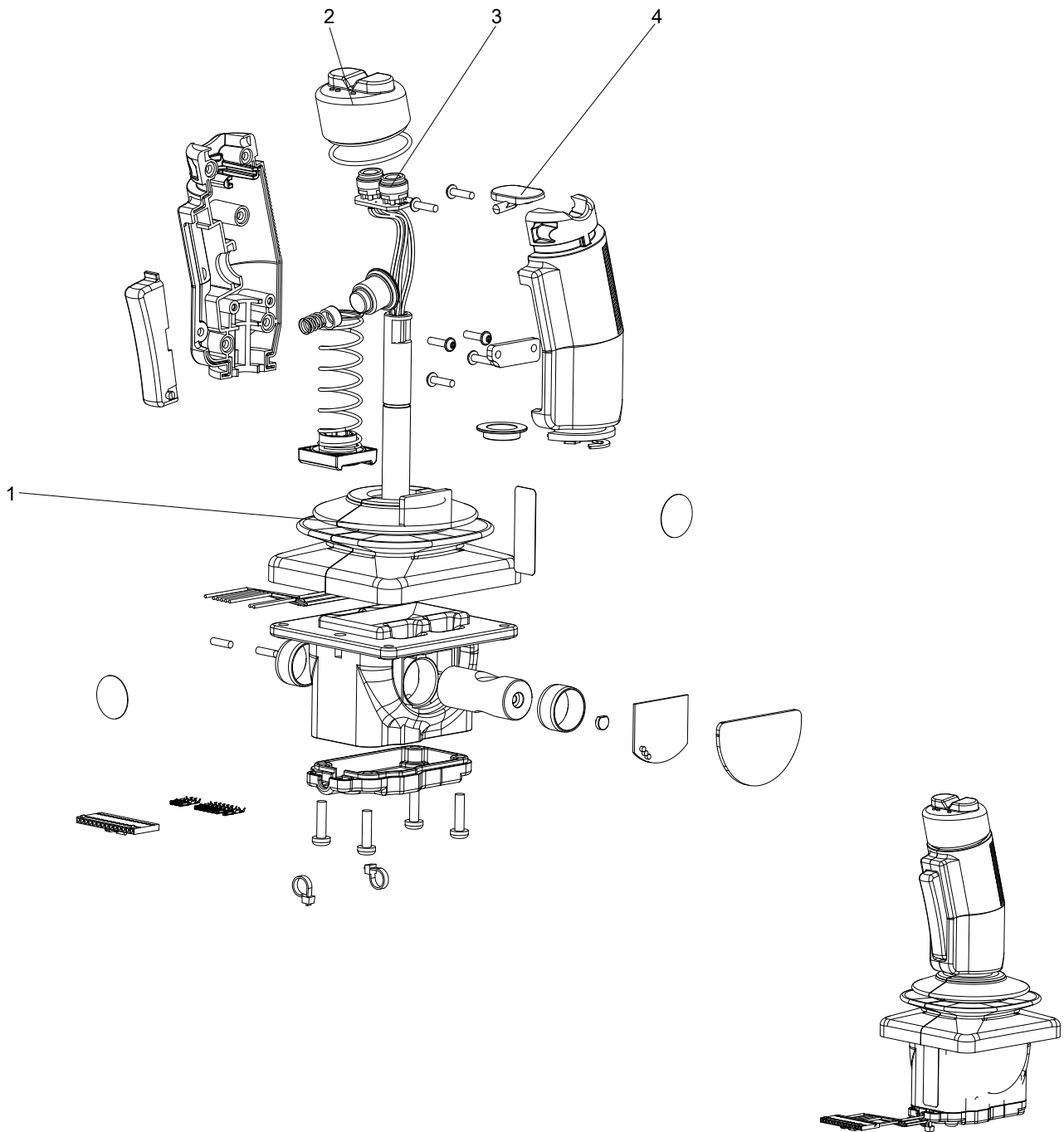
No.	Part No.	Qty.	Description
1	215020000109	2	Screw M5×10-A2-70 GB/T 818
2	203080003094	2	Plug, with cable
3	215020000215	2	Screw M5×40-A2-70 GB/T 818
4	203150000055	2	Pressure sensor
5	215020000017	2	Screw M6×45-A2-70 GB/T 70.1
6	215040000032	4	Washer 5-A2 GB/T 97.1
7	216010003013	1	Clamp
8	215040000003	4	Washer 5-A2-70 GB/T 93
9	109002063020	1	Optional platform control box
9-1	203020000050	1	Controller(DTC)
9-2	203020003096	1	Platform control box master(SINOBOOM)
10	215030000003	2	Nut M5-A2-70 GB/T 6170
11	215040000033	4	Washer 6-A2 GB/T 97.1
12	215020000016	2	Screw M6×40-A2-70 GB/T 70.1
13	203150000046	1	Angle sensor
14	215040000004	4	Washer 6-A2-70 GB/T 93
15	101013040012	1	Plate, bending
16	215020000280	1	Screw M2×10 GB/T 823
17	216010003009	1	Clamp
18	215020000117	4	Screw M6×20-A2-70 GB/T 818

6.4 PLATFORM CONTROLLER (PN.203020000050)



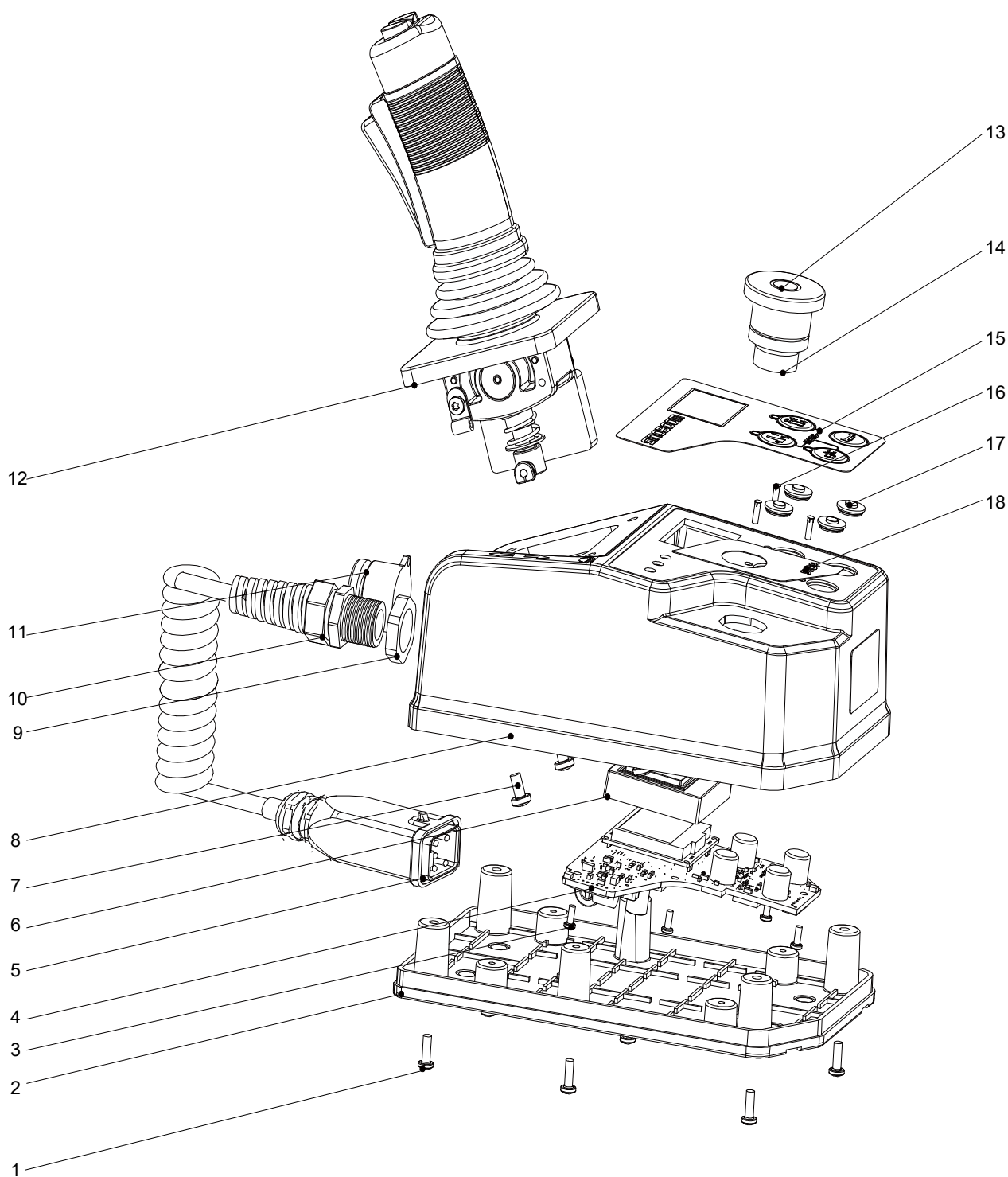
No.	Part No.	Qty.	Description
1	203030003022	1	Joystick
2	203060003060	1	Cover, PCU screen
3	203060003059	1	Enclosure PCU
4	203060003056	1	Seal ring, buzzer
5	203080003458	1	Spring cable, PCU
6	203050003036	1	Buzzer
7	203060003054	1	Emergency stop switch
8	203060003055	1	Emergency stop block(Not Shown)
9	203030003021	1	Circuit board(Not Shown)

6.5 JOYSTICK (PN.203030003022)



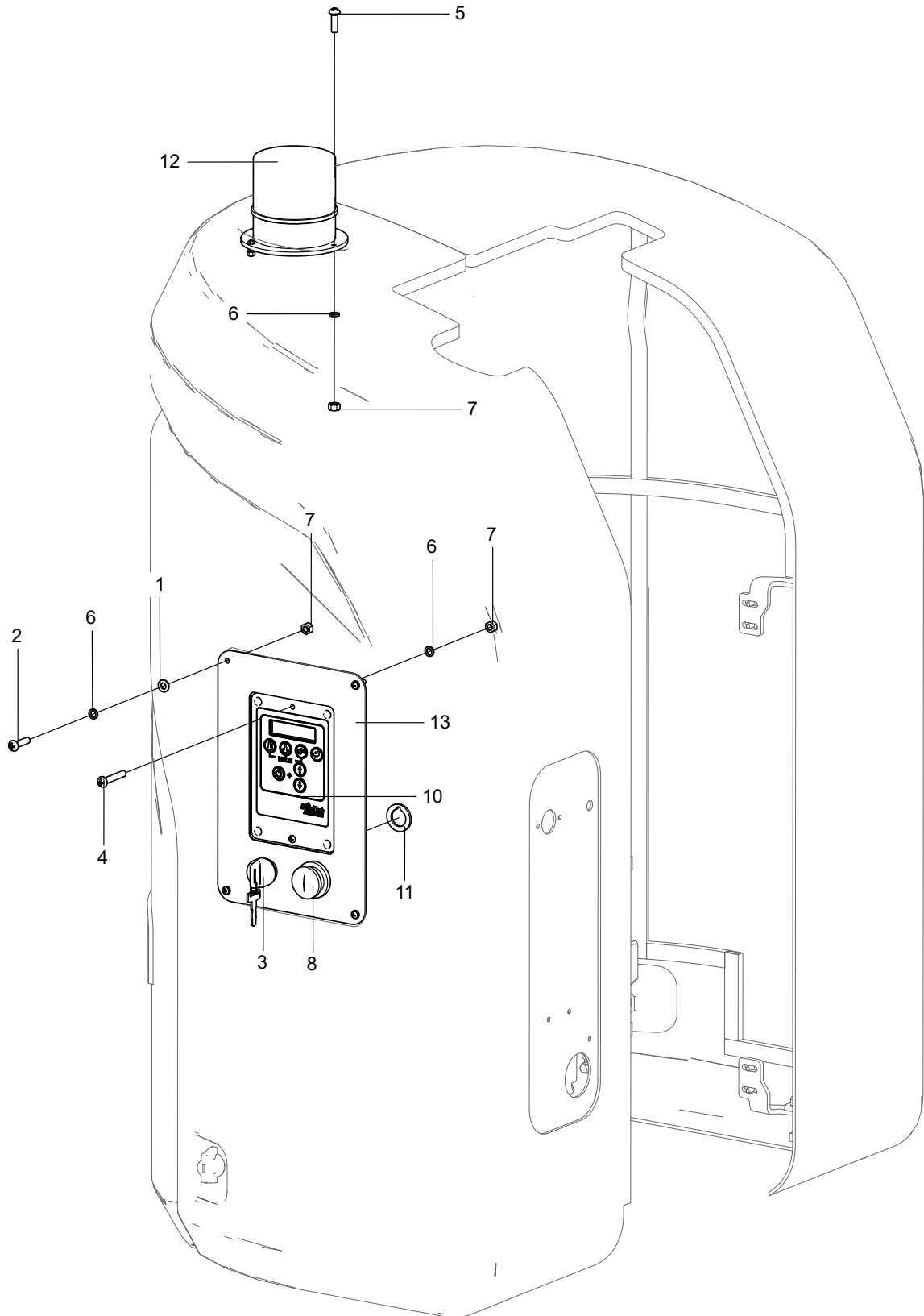
No.	Part No.	Qty.	Description
1	203060003061	1	Joystick internal connector
2	203060003062	1	Actuator, Grip
3	203060003057	1	Steer button
4	203060003064	1	Joystick cap

6.6 PLATFORM CONTROLLER (PN.203020003096)



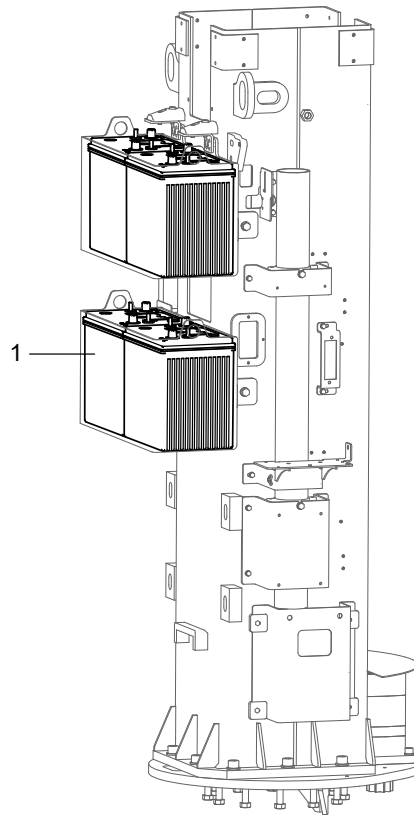
No.	Part No.	Qty.	Description
1	203060003135	6	SCREW
2	203060003126	1	The shell
3	203060003134	5	screw
4	203030003032	1	The main assembly
5	203080003630	1	5 core screw cable assembly
6	203060003129	1	Transparent PC lens
7	203060003136	4	screw
8	203060003131	1	on the shell
9	203060003133	1	Locking Nut
10	203060003132	1	Cable connector
11	203050003033	1	Buzzer
12	203090003003	1	Handle
13	203060003049	1	Emergency stop switch
14	203080003629	1	Seven plug assembly
15	203060003130	1	sticker
16	203050003054	3	Guide pillar
17	203060003128	4	Rubber film
18	203060003127	1	sticker (the shear fork)

6.7 CONTROL PANEL INSTALLATION



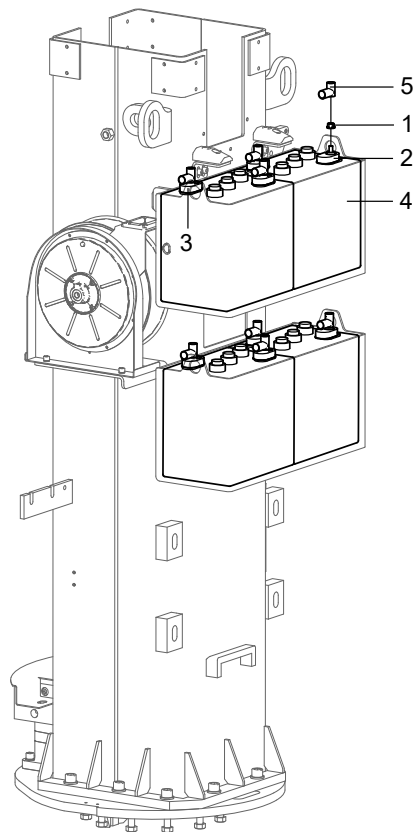
No.	Part No.	Qty.	Description
1	215040000032	4	Washer 5-A2 GB/T 97.1
2	215020000112	4	Screw M5×20-A2-70 GB/T 818
3	203060000066	1	Key switch
4	215020000114	2	Screw M5×30-A2-70 GB/T 818
5	215020000111	3	Screw M5×16-A2-70 GB/T 818
6	215040000003	9	Washer 5-A2-70 GB/T 93
7	215030000003	9	Nut M5-A2-70 GB/T 6170
8	203060000142	1	Emergency stop switch
9	109002060011	1	Membrane, control panel(Not Shown)
10	109002063019	1	Main controller selection
10-1	203020000051	1	Controller(DTC)
10-2	203020003095	1	Main Controller(SINOBOOM)
11	109002033000	1	Shim
12	203050000058	1	LED Beacon
13	109001020001	1	Plate

6.8 MAINTENANCE-FREE BATTERIES INSTALLATION



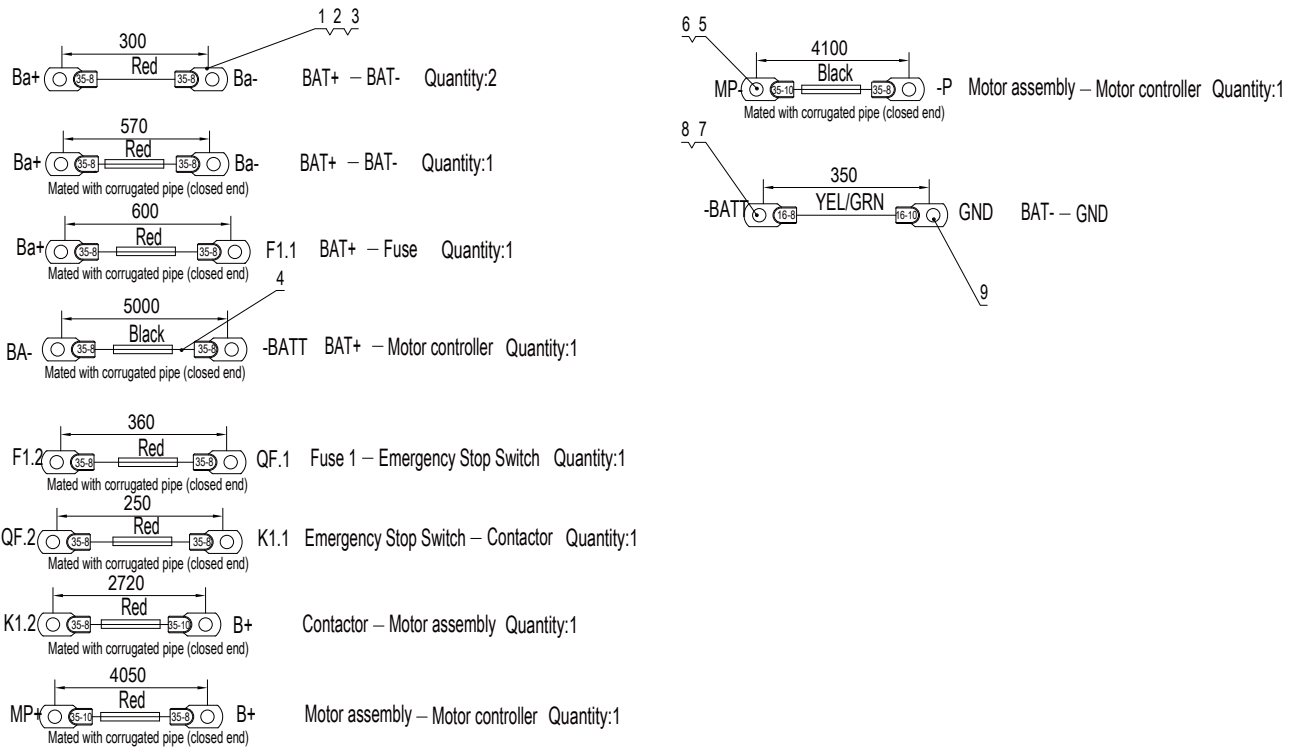
No.	Part No.	Qty.	Description
1	20310000017	4	Battery

6.9 LEAD ACID BATTERIES INSTALLATION



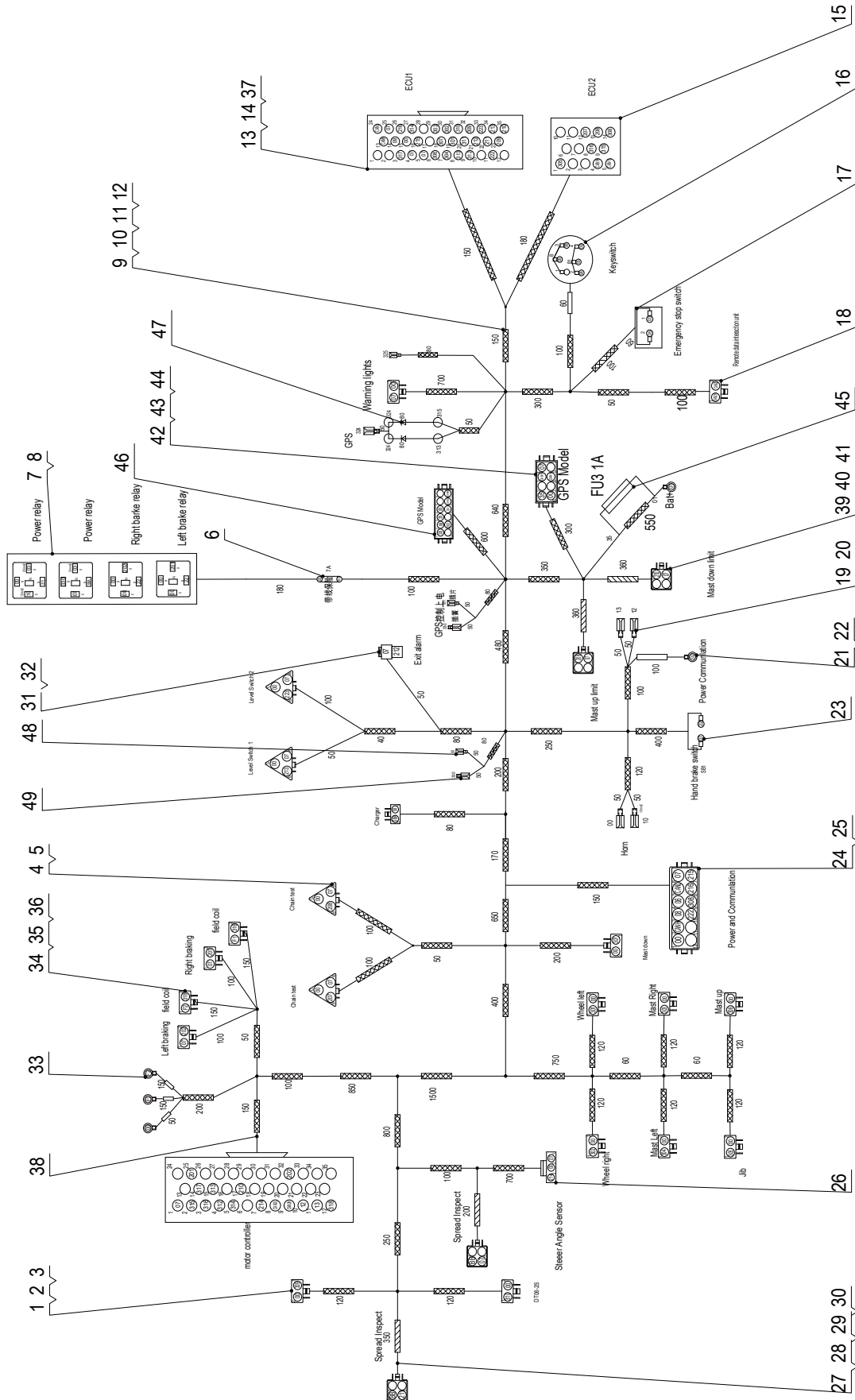
No.	Part No.	Qty.	Description
1	21508000007	8	Nut 5/16-18UNC-GR8-DKL ASME B18.2.2
2	20310000041	4	Battery cap
3	20310000044	4	Battery cap (Black)
4	20310000034	4	Battery, Lead acid
5	20308000004	8	Connector, PVC

6.10 POWER CABLE KIT(DTC)



No.	Part No.	Qty.	Description
	109002060014	1	Power harness (DTC)
1	203080000677	17	Cable lug, copper
2	203080000257	9	Cable (red)
3	203080000035	1	Heat shrink tube
4	203080000009	9	Cable (black)
5	203080000680	3	Cable lug, copper
6	203080000006	18	Corrugated pipe
7	203080003003	1	Cable lug, copper
8	203080003002	1	Power cable, YEL/GRN
9	203080003144	1	Cable lug, copper

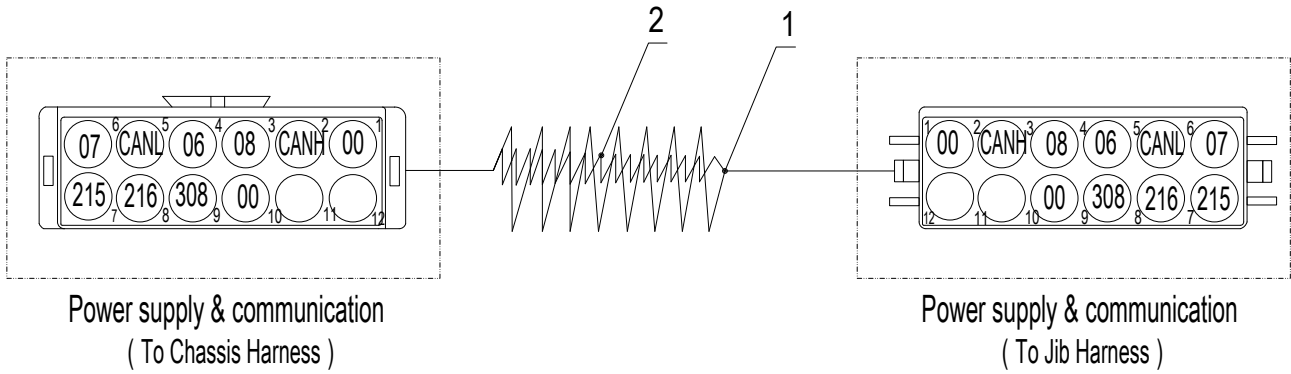
6.11 CHASSIS HARNESS(DTC)



No.	Part No.	Qty.	Description
	109002060013	1	Chassis Harness (DTC)
1	203080000024	14	Sheath
2	203080000016	14	Lock
3	203080000041	78	Terminal, female
4	203080000012	4	Sheath
5	203080000032	4	Lock
6	203070000018	1	Fuse
7	203040000038	3	Relay mount
8	203080000190	12	Terminal
9	203080000135	4	Corrugated pipe (Black)
10	203080000037	1	Corrugated pipe
11	203080000006	1	Corrugated pipe
12	203080000031	1	Corrugated pipe
13	203080000430	1	AMP Connector (35-pin)
14	203080000433	54	Terminal
15	203080000431	1	AMP connector (14-pin)
16	203080000134	5	Terminal, blade-hole type
17	203080000036	2	Terminal
18	203080000474	1	Cover, waterproof
19	203080000129	4	Jacket, flexible
20	203080000130	4	Terminal
21	203080000018	2	Terminal, blade-hole type
22	203080000030	1	Heat shrink tube
23	203080000039	2	Terminal, blade-hole type
24	203080000155	1	Sheath
25	203080000159	2	Lock
26	203080000293	1	Sheath
27	203080000496	3	Seal
28	203080000298	3	Terminal
29	203080000248	180	Cable
30	203080000308	2	Cable
31	203080000528	2	Cable
32	203080000196	2	Cable
33	203080000355	1	Socket
34	203080000200	2	Terminal
35	203080000133	3	Terminal, blade-hole type
36	203080000678	2	Sheath

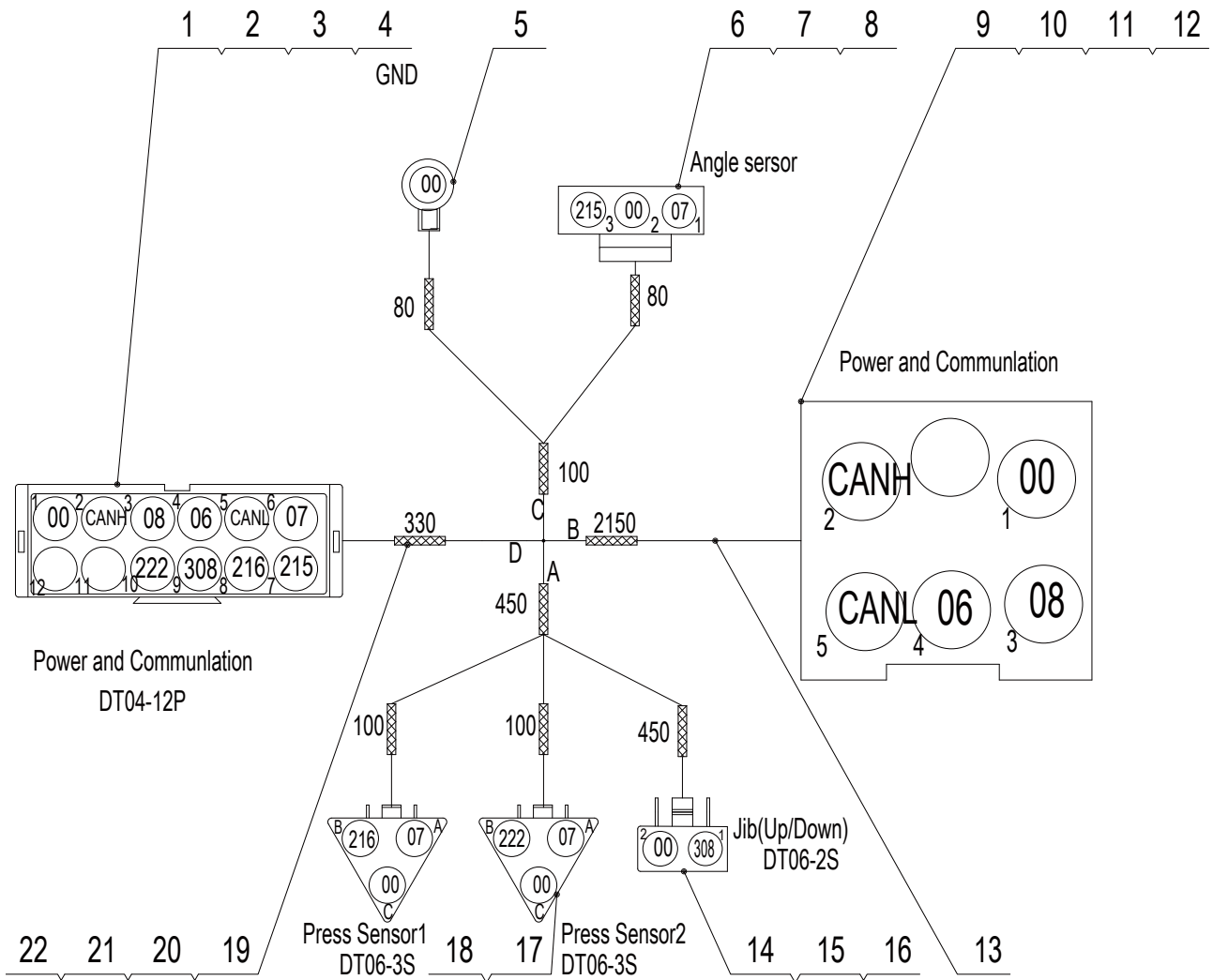
No.	Part No.	Qty.	Description
37	203080000663	2	Locking piece
38	203080000664	4	Terminal
39	203080000295	32	Plastic plug
40	203080000029	1	Cable
41	203080000044	5	Sheath
42	203080000020	5	Lock
43	203080000068	13	Blind plug
44	203080000100	1	Sheath
45	203080000112	1	Lock
46	203080003219	1	Cover, waterproof
47	203070003007	1	Fuse box (for harness)
47	203080000652	3	Insert spring
48	203080000414	1	Sheath
49	203070000034	2	Diode
50	203080000651	3	Prong

6.12 GROUND TO PLATFORM HARNESS



No.	Part No.	Qty.	Description
	109002060003	1	Harness, Platform-Ground
1	203080003156	1	Spiral line
2	203080003261	1	Spiral lead

6.13 JIB HARNESS



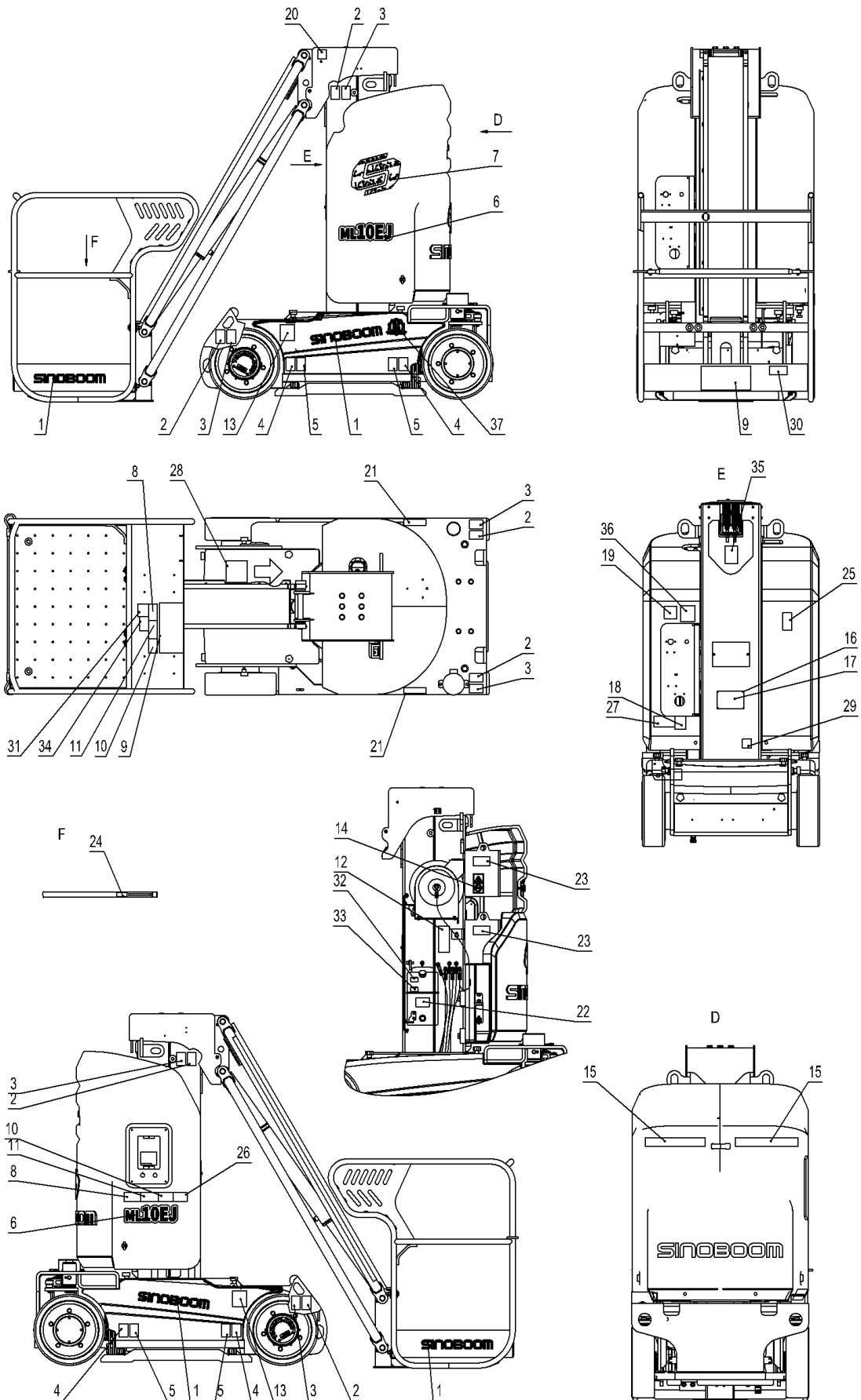
No.	Part No.	Qty.	Description
	109002060004	1	Jib harness
1	203080000156	1	Sheath
2	203080000157	1	Lock
3	203080000033	10	Terminal, male
4	203080000068	2	Blind plug
5	203080000133	1	Terminal, blade-hole type
6	203080000298	3	Terminal
7	203080000496	3	Seal
8	203080000293	1	Sheath
9	203080000354	1	Cover
10	203080000350	1	Connector
11	203080000348	1	Connector
12	203080000355	5	Socket

No.	Part No.	Qty.	Description
13	203080003050	2	Cable, 5-core
14	203080000024	1	Sheath
15	203080000016	1	Lock
16	203080000041	8	Terminal, female
17	203080000012	2	Sheath
18	203080000032	2	Lock
19	203080000006	2	Corrugated pipe
20	203080000028	1	Corrugated pipe
21	203080000248	8	Cable
22	203080000308	3	Cable

This Page Intentionally Left Blank

7 DECALS

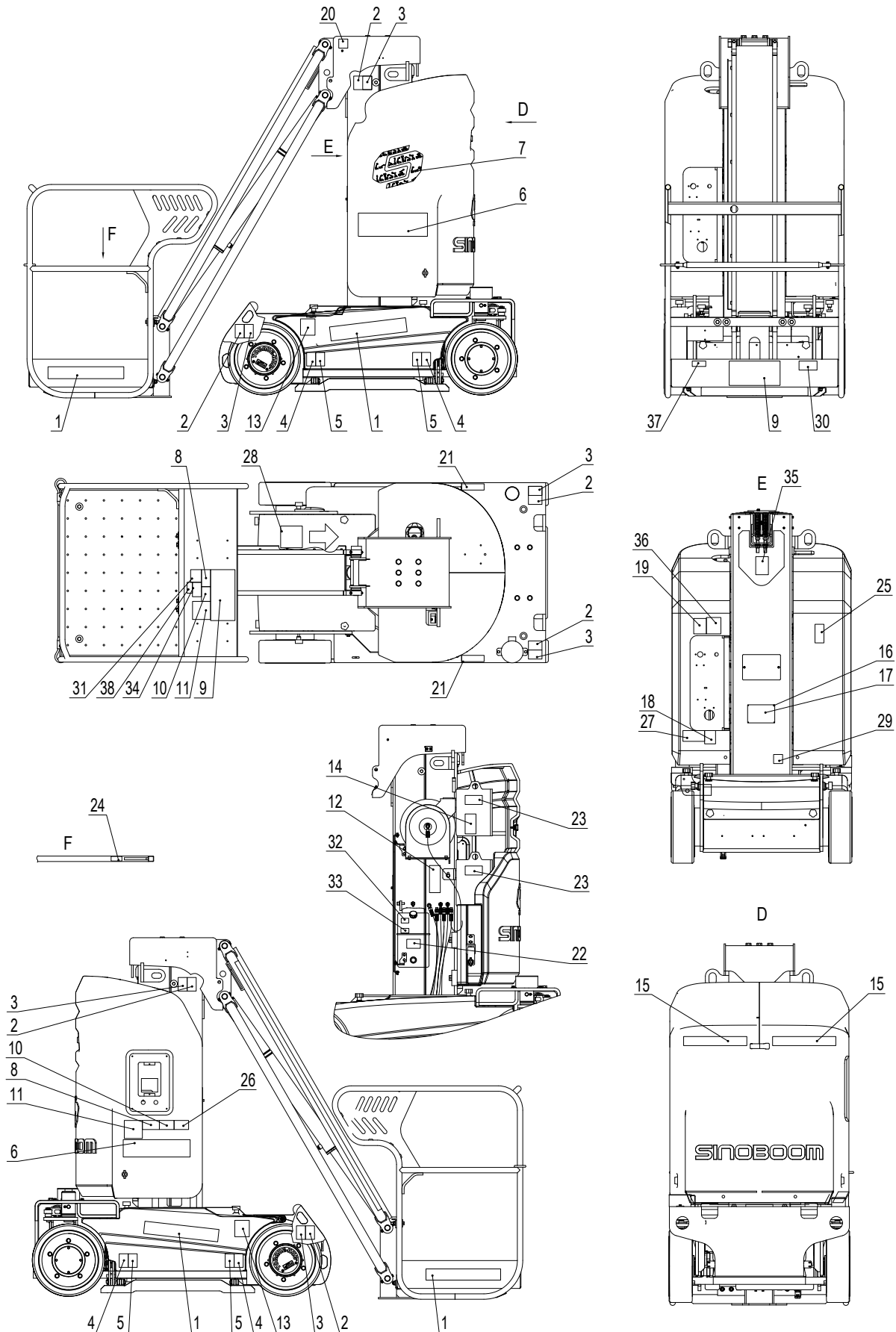
7.1 DECALS(GB)



No.	Part No.	Qty.	Description
	109002100013	1	Decals (GB)-GTTZ10EJ
1	101040103021	4	LOGO-SINOBOOM
2	101014100020	6	Decal-Lifting points
3	101014100021	6	Decal-Tiedown point
4	109002103016	4	Decal-Wheel load 1200kg
5	101014100013	4	Decal-Crush hazard
6	109002103017	2	Decal-ML10EJ
7	101048103026	1	Decal-LOGO, white
8	101040100005	2	Decal-Read manuals
9	109002100016	2	Decal-Use requirements, 10EJ
10	109002100006	2	Decal-Tipping hazard
11	109002100009	2	Decal-Electrocution hazard
12	109002100015	1	Decal-Operation instructions for pumps
13	109002103020	2	Decal-Release brake
14	101014100014	1	Decal-No fire
15	216060000004	2	Attention line, 50mm wide
16	215050000012	4	Blind rivet 4×8-ZnD GB/T 12618.2
17	109002100004	1	Nameplate-GB
18	109002100012	1	Decal-Charging voltage
19	101056103002	1	Decal-Main power switch
20	109002103005	1	Decal-Jib boom emergency descend
21	101014100032	2	Decal-Serial number
22	101014100022	1	Decal-Oil inlet
23	101012100001	2	Decal-No fire
24	101016100030	2	Decal-Lanyard anchorage points
25	109002100007	1	Decal-Crush hazard
26	109002100011	1	Decal-Crush hazard
27	109002100008	1	Decal-Electrocution hazard
28	103003100010	1	Decal-Direction
29	109002100014	1	Decal-Emergency down
30	101058103001	1	Decal-IPAF
31	101055103016	1	Decal-Emergency stop switch
32	104011100010	1	Decal-Hydraulic oil level
33	104011100003	1	Decal-Hydraulic oil level
34	109002103014	1	Decal-Collision hazard
35	109002103015	1	Decal-Wire rope maintenance

No.	Part No.	Qty.	Description
36	109002103012	1	Decal-Release brake
37	101014100036	1	Decal-Warranty period

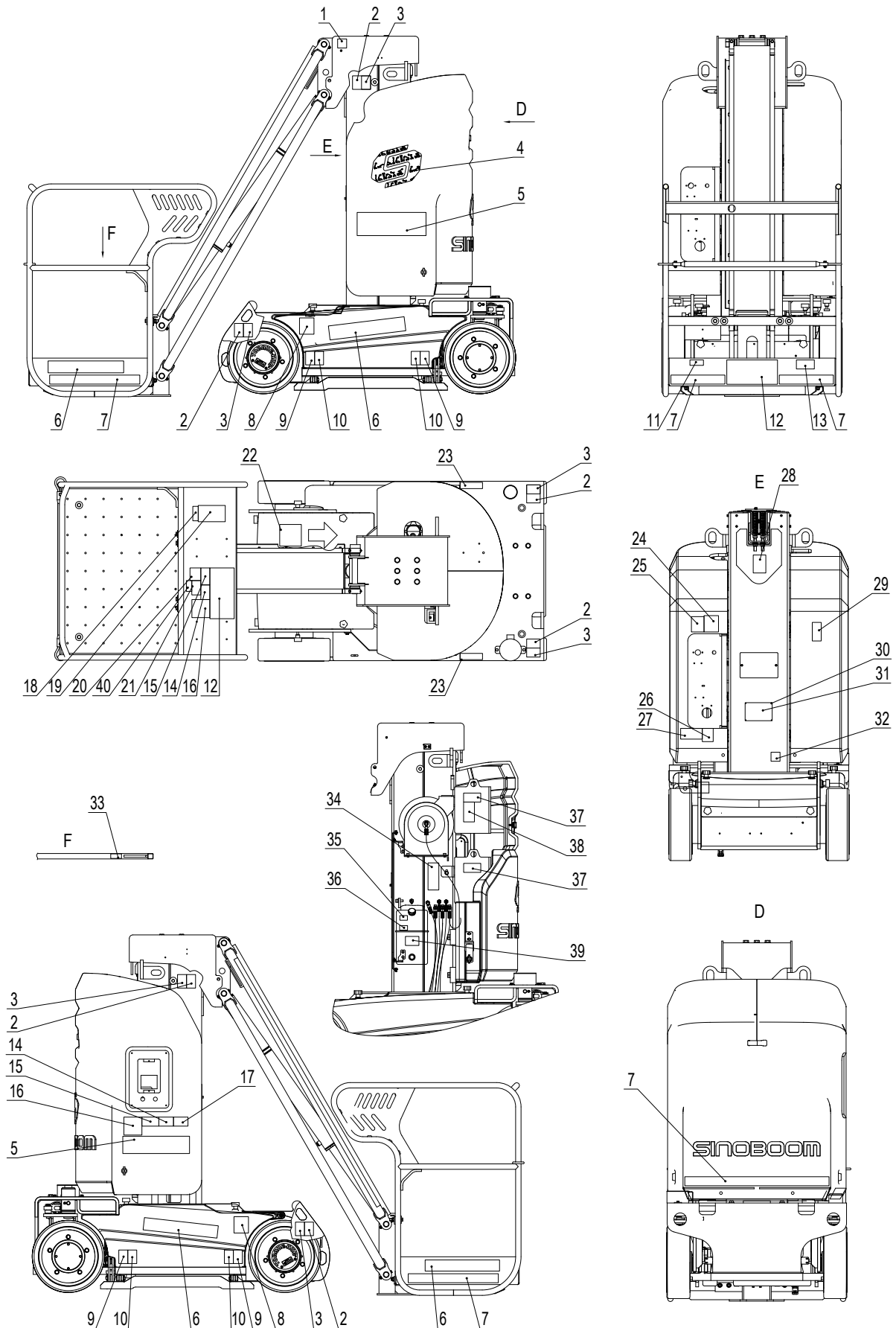
7.2 DECALS(ANSI)



No.	Part No.	Qty.	Description
	109002103000	1	Decals (ANSI)-GTTZ10EJ
1	101040103021	4	LOGO-SINOBOOM
2	101014100020	6	Decal-Lifting points
3	101014100021	6	Decal-Tiedown point
4	109002103019	4	Decal-Wheel load 1200kg
5	101014100013	4	Decal-Crush hazard
6	109002103038	2	Decal-ML270EJ
7	101048103026	1	Decal-LOGO, white
8	101040100005	2	Decal-Read manuals
9	109002103003	2	Decal-Use requirements, 10EJ
10	109002100006	2	Decal-Tipping hazard
11	109002103004	2	Decal-Electrocution hazard
12	109002100015	1	Decal-Operation instructions for pumps
13	109002103020	2	Decal-Release brake
14	101014100014	1	Decal-No fire
15	216060000004	2	Attention line, 50mm wide
16	215050000012	4	Blind rivet 4×8-ZnD GB/T 12618.2
17	109002103036	1	Nameplate-ANSI&CSA
18	109002100012	1	Decal-Charging voltage
19	101016100031	1	Decal-Main power switch
20	109002103005	1	Decal-Jib boom emergency descend
21	101014100032	2	Decal-Serial number
22	101014100022	1	Decal-Oil inlet
23	101012100001	2	Decal-No fire
24	101016100030	2	Decal-Lanyard anchorage points
25	109002100007	1	Decal-Crush hazard
26	109002100011	1	Decal-Crush hazard
27	109002100008	1	Decal-Electrocution hazard
28	103003100010	1	Decal-Direction
29	109002100014	1	Decal-Emergency down
30	101058103001	1	Decal-IPAF
31	101055103015	1	Decal-Emergency stop switch
32	104011100010	1	Decal-Hydraulic oil level
33	104011100003	1	Decal-Hydraulic oil level
34	109002103013	1	Decal-Collision hazard
35	109002103011	1	Decal-Wire rope maintenance
36	109002103012	1	Decal-Release brake

No.	Part No.	Qty.	Description
37	101040103015	1	Decal-Annual inspection
38	103010103014	1	Deca, non-insulatedd

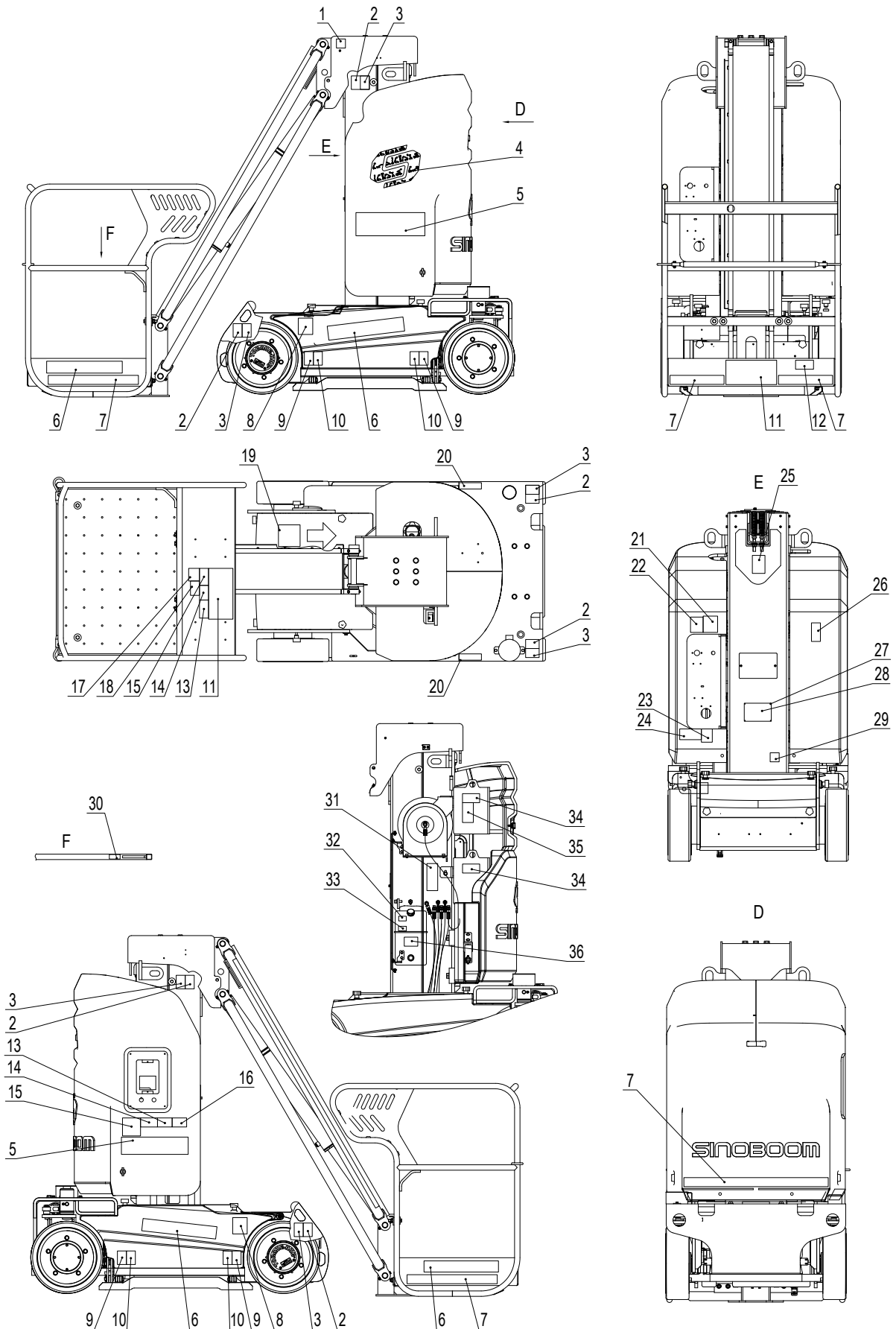
7.3 DECALS(CSA)



No.	Part No.	Qty.	Description
	109002103028	1	Decals (CSA)-GTTZ10EJ
1	109002103005	1	Decal-Jib boom emergency descend
2	101014100020	6	Decal-Lifting points
3	101014100021	6	Decal-Tiedown point
4	101048103026	1	Decal-LOGO, white
5	109002103038	2	Decal-ML270EJ
6	101040103021	4	LOGO-SINOBOOM
7	216060000004	3	Attention line, 50mm wide
8	109002103020	2	Decal-Release brake
9	109002103019	4	Decal-Wheel load 1200kg
10	101014100013	4	Decal-Crush hazard
11	101040103015	1	Decal-Annual inspection
12	109002103003	2	Decal-Use requirements, 10EJ
13	101058103001	1	Decal-IPAF
14	109002100006	2	Decal-Tipping hazard
15	101040100005	2	Decal-Read manuals
16	109002103004	2	Decal-Electrocution hazard
17	109002100011	1	Decal-Crush hazard
18	109002103031	1	Decal-Electrocution hazard
19	109002103029	1	Decal-Operating instructions
20	101055103015	1	Decal-Emergency stop switch
21	109002103013	1	Decal-Collision hazard
22	103003100010	1	Decal-Direction
23	101014100032	2	Decal-Serial number
24	109002103012	1	Decal-Release brake
25	101016100031	1	Decal-Main power switch
26	109002100012	1	Decal-Charging voltage
27	109002100008	1	Decal-Electrocution hazard
28	109002103011	1	Decal-Wire rope maintenance
29	109002100007	1	Decal-Crush hazard
30	215050000012	4	Blind rivet 4×8-ZnD GB/T 12618.2
31	109002103036	1	Nameplate-ANSI&CSA
32	109002100014	1	Decal-Emergency down
33	101016100030	2	Decal-Lanyard anchorage points
34	109002100015	1	Decal-Operation instructions for pumps
35	104011100010	1	Decal-Hydraulic oil level
36	104011100003	1	Decal-Hydraulic oil level

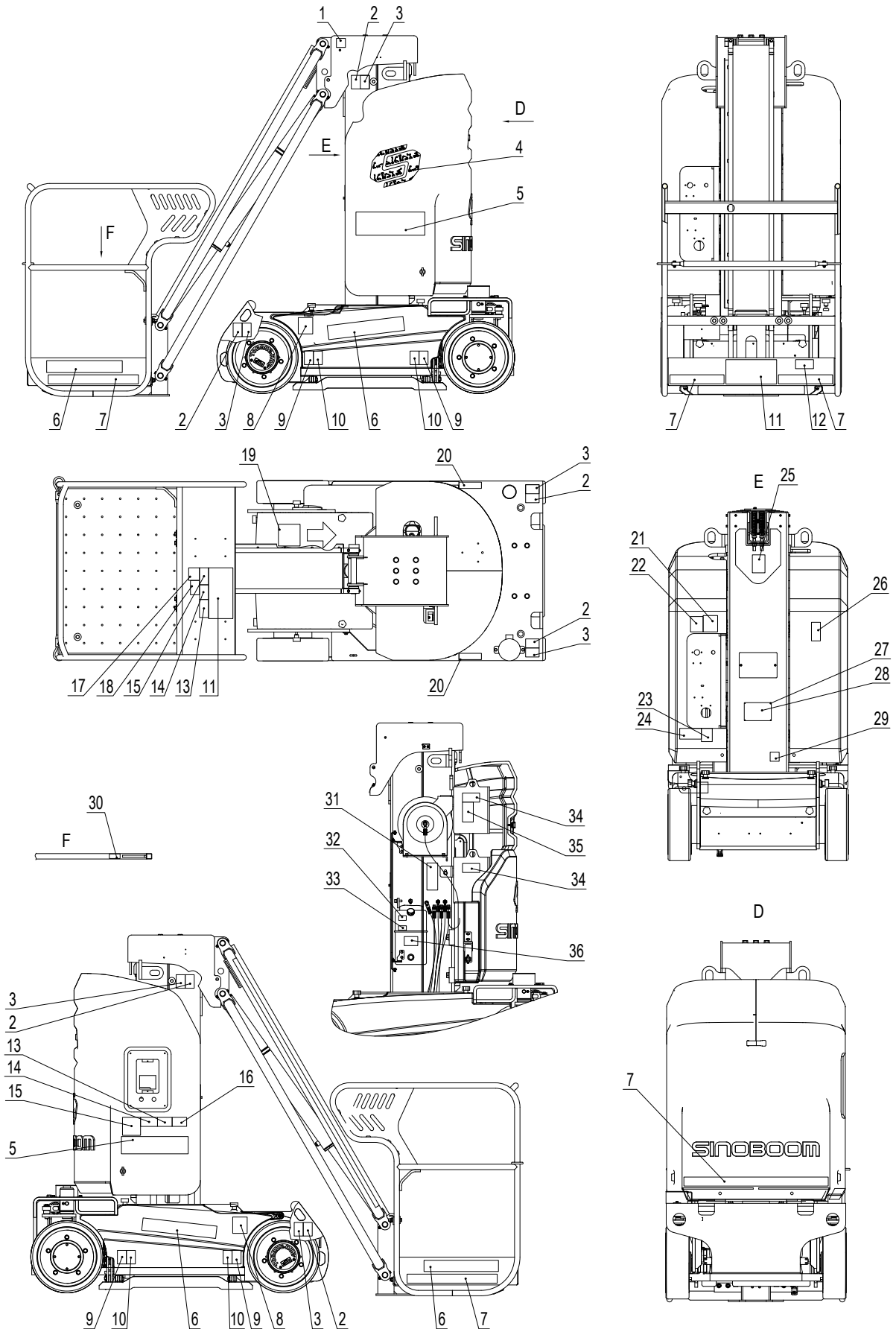
No.	Part No.	Qty.	Description
37	101012100001	2	Decal-No fire
38	101014100014	1	Decal-No fire
39	101014100022	1	Decal-Oil inlet
40	103010103014	1	Deca, non-insulatedd

7.4 DECALS(CE-METRIC)



No.	Part No.	Qty.	Description
	109002103018	1	Decals (CE-Metric)-GTTZ10EJ
1	109002103005	1	Decal-Jib boom emergency descend
2	101014100020	6	Decal-Lifting points
3	101014100021	6	Decal-Tiedown point
4	101048103026	1	Decal-LOGO, white
5	109002103017	2	Decal-ML10EJ
6	101040103021	4	LOGO-SINOBOOM
7	216060000004	3	Attention line, 50mm wide
8	109002103020	2	Decal-Release brake
9	109002103016	4	Decal-Wheel load 1200kg
10	101014100013	4	Decal-Crush hazard
11	109002100016	2	Decal-Use requirements, 10EJ
12	101058103001	1	Decal-IPAF
13	109002100006	2	Decal-Tipping hazard
14	109002100009	2	Decal-Electrocution hazard
15	101040100005	2	Decal-Read manuals
16	109002100011	1	Decal-Crush hazard
17	101055103015	1	Decal-Emergency stop switch
18	109002103013	1	Decal-Collision hazard
19	103003100010	1	Decal-Direction
20	101014100032	2	Decal-Serial number
21	109002103012	1	Decal-Release brake
22	101016100031	1	Decal-Main power switch
23	109002100012	1	Decal-Charging voltage
24	109002100008	1	Decal-Electrocution hazard
25	109002103011	1	Decal-Wire rope maintenance
26	109002100007	1	Decal-Crush hazard
27	215050000012	4	Blind rivet 4×8-ZnD GB/T 12618.2
28	109002103032	1	Nameplate-UKCA&CE
29	109002100014	1	Decal-Emergency down
30	101016100030	2	Decal-Lanyard anchorage points
31	109002100015	1	Decal-Operation instructions for pumps
32	104011100010	1	Decal-Hydraulic oil level
33	104011100003	1	Decal-Hydraulic oil level
34	101012100001	2	Decal-No fire
35	101014100014	1	Decal-No fire
36	101014100022	1	Decal-Oil inlet

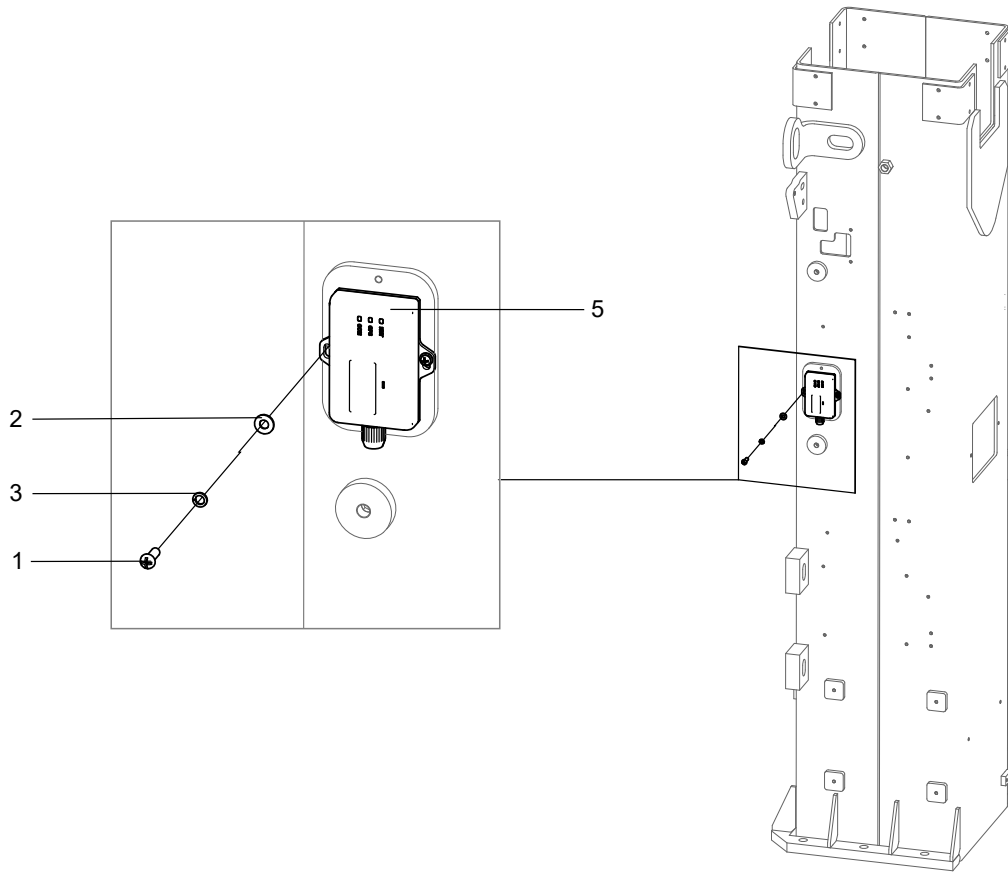
7.5 DECALS(CE-IMPERIAL)



No.	Part No.	Qty.	Description
	110001100011	1	Decals (CE-Imperial)-GTTZ10EJ
1	109002103005	1	Decal-Jib boom emergency descend
2	101014100020	6	Decal-Lifting points
3	101014100021	6	Decal-Tiedown point
4	101048103026	1	Decal-LOGO, white
5	109002103038	2	Decal-ML270EJ
6	101040103021	4	LOGO-SINOBOOM
7	216060000004	3	Attention line, 50mm wide
8	109002103020	2	Decal-Release brake
9	109002103016	4	Decal-Wheel load 1200kg
10	101014100013	4	Decal-Crush hazard
11	109002100016	2	Decal-Use requirements, 10EJ
12	101058103001	1	Decal-IPAF
13	109002100006	2	Decal-Tipping hazard
14	109002100009	2	Decal-Electrocution hazard
15	101040100005	2	Decal-Read manuals
16	109002100011	1	Decal-Crush hazard
17	101055103015	1	Decal-Emergency stop switch
18	109002103013	1	Decal-Collision hazard
19	103003100010	1	Decal-Direction
20	101014100032	2	Decal-Serial number
21	109002103012	1	Decal-Release brake
22	101016100031	1	Decal-Main power switch
23	109002100012	1	Decal-Charging voltage
24	109002100008	1	Decal-Electrocution hazard
25	109002103011	1	Decal-Wire rope maintenance
26	109002100007	1	Decal-Crush hazard
27	215050000012	4	Blind rivet 4×8-ZnD GB/T 12618.2
28	109002103032	1	Nameplate-UKCA&CE
29	109002100014	1	Decal-Emergency down
30	101016100030	2	Decal-Lanyard anchorage points
31	109002100015	1	Decal-Operation instructions for pumps
32	104011100010	1	Decal-Hydraulic oil level
33	104011100003	1	Decal-Hydraulic oil level
34	101012100001	2	Decal-No fire
35	101014100014	1	Decal-No fire
36	101014100022	1	Decal-Oil inlet

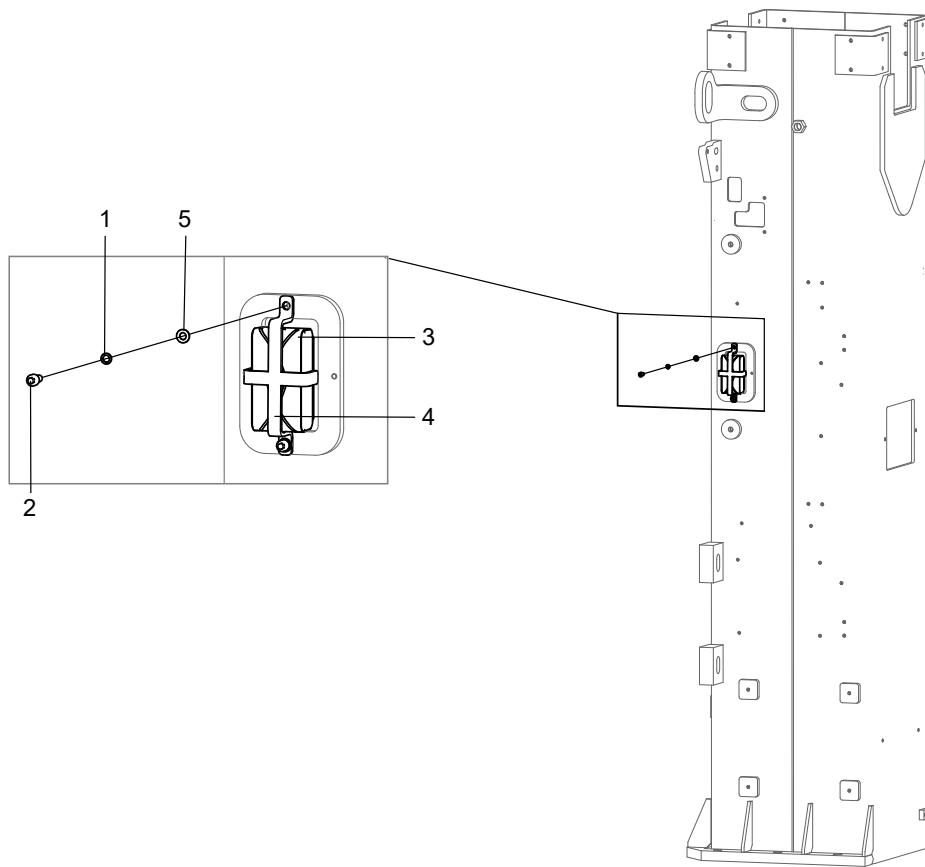
8 SPECIAL OPTIONS

8.1 GPS INSTALLATION 1



No.	Part No.	Qty.	Description
1	215020000105	2	Screw M4×12-A2-70 GB/T 818
2	215040000031	2	Washer 4-A2 GB/T 97.1
3	215040000002	2	Washer 4-A2-70 GB/T 93
4	203150003022	1	GPS/LTE antenna(Not Shown)
5	203020003040	1	GPS module (4G)(1000577)

8.2 GPS INSTALLATION 2



No.	Part No.	Qty.	Description
1	215040000003	2	Washer 5-A2-70 GB/T 93
2	215020000006	2	Screw M5×12-A2-70 GB/T 70.1
3	203020003017	1	GPS terminal (including magnet)(1000254)
4	101038033017	1	Guard
5	2150400000032	2	Washer 5-A2 GB/T 97.1

Always for Better Access Solutions



Hunan Sinoboom Intelligent Equipment Co., Ltd.

No.128, East Jinzhou Avenue, Ningxiang High-tech Industrial Park, Changsha, Hunan, China

☎ 0086-0731-87116222 (Sales) & 0086-0731-87116333 (Service)

✉ sales@sinoboom.com

🏠 www.sinoboom.com

North American Subsidiary

Sinoboom North American LLC

310 Mason Creek Drive
unit #100
Katy, TX 77450, US
Tel: (281) 729-5425
E-mail: info@sinoboom.us

Europe Subsidiary

Sinoboom B.V.

Nikkelstraat 26, NL-2984 AM Ridderkerk,
The Netherlands
Tel: +31 180 225 666
E-mail: info@sinoboom.eu

Korea Subsidiary

Sinoboom Korea Co., Ltd.

95, Docheong-ro, Yeongtong-gu, Suwon-
si, Gyeonggi-do, Republic of Korea
Tel: 010-8310-8026
E-mail: ka1@sinoboom.com

Australia Subsidiary

Sinoboom Intelligent Equipment Pty Ltd.

50/358 Clarendon St, South Melbourne
VIC 3205, Australia
E-mail: au@sinoboom.com

Singapore Subsidiary

Star Access Solutions Pte. Ltd.

112 Robinson Road #03-01 Robinson 112
Singapore 068902

Poland Subsidiary

Sinoboom Poland sp. z o.o.

Ul. Bolesława Krzywoustego 74A
61-144 Poznań, Poland