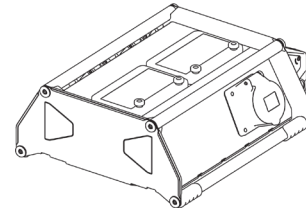


# LINK MAX

## Technical Specifications

Version 1.0 (Feb 2025)



Instagrid

Instagrid LINK MAX is an accessory that allows you to combine the power of three Instagrid ONE units to create a 400 V 16 A, 3-phase output.

- Exceptional portability
  - Combined with Instagrid ONE, Instagrid LINK MAX is the worlds most portable 400 V power solution\*. Each part of the setup can be carried individually by hand without additional machinery.
- Simple plug and play experience
  - Set up your 400 V, 3-phase system quicker and easier than ever.
- Instant reliable power, zero compromises - Run demanding machines without additional noise or exhaust fumes.



**Receptacle-Type**  
CEE 5-pole 6h 16 A

Product Description:

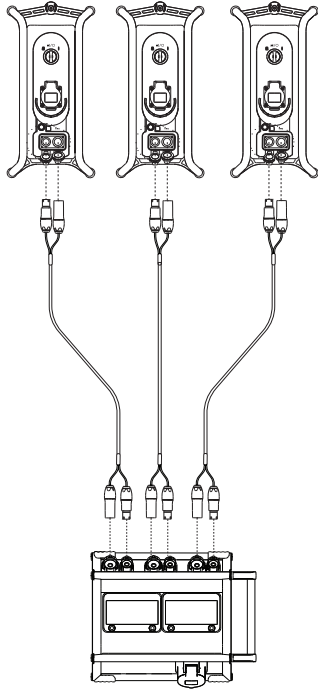
LINK MAX | Type CEE | 400V | 16A | IP54

Art.Nr.: 990-00008  
EAN/GTIN: 4260710090319

Parameter	Value
<b>Operation</b>	
Nominal output voltage	400 V AC
Frequency	50 Hz
Rated output current	16 A
Rated output power	11.000 W
Max. mountable height	below 2 m
<b>Protection</b>	
Phase guard	Phase monitoring device (PMD)
Insulation monitor	Insulation monitoring device (IMD)
Circuit breaker	1x 4-pole C16
<b>General Information</b>	
Weight	5,1 kg
Size	391 x 320 x 140 mm
IP Class	IP54
Protection class	Class I with Class II construction
Ambient temperature	-20 °C to 60 °C
<b>Receptacles</b>	
Input receptracles	3x Neutrik powerCON TRUE1® TOP - NAC3FPX 3x Neutrik powerCON TRUE1® TOP - NAC3MPX
Output receptacle	1x CEE 5-pole 6h 16 A

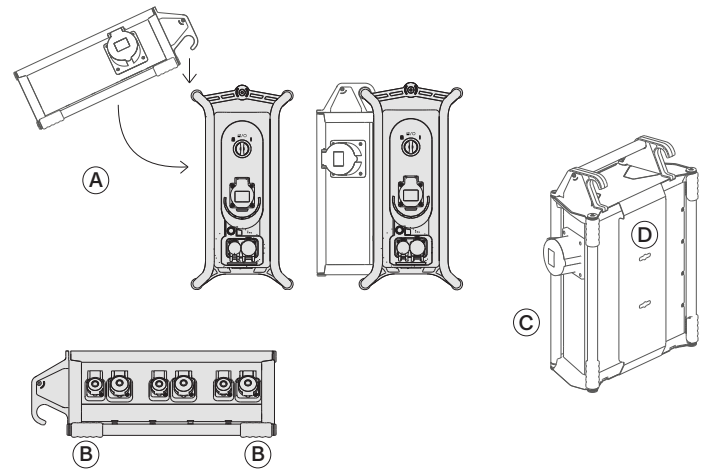
\* Whereas competing products weigh at least 78 kg, the total weight of 3 x Instagrid ONE and 1 x Instagrid LINK MAX is 68 kg, whereby the Instagrid ONE units each weigh only 21 kg, and the Instagrid LINK MAX unit only 5 kg, meaning that each part of the setup can be carried in one hand.

### Input Logic



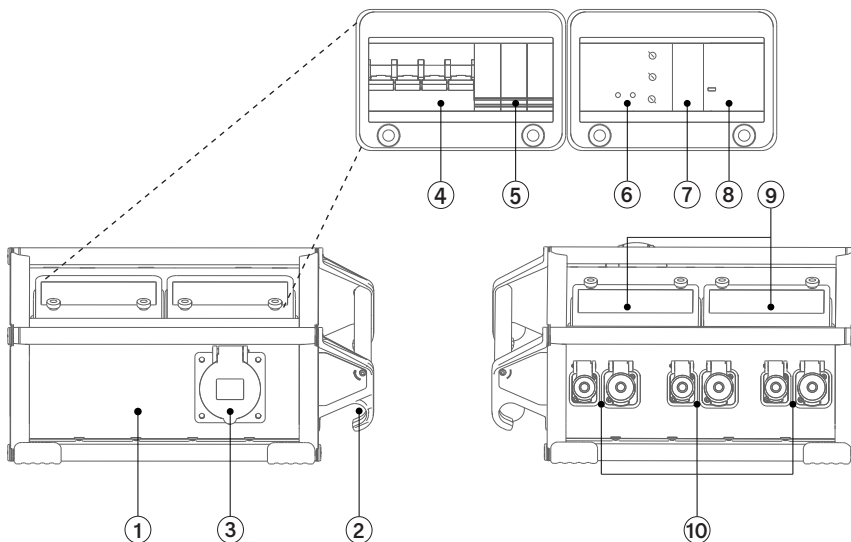
- Use Dual *Neutrik* Cable to connect Instagrid ONE with both plugs to Instagrid LINK MAX
- For operation three Instagrid ONE Units have to be connected to Instagrid LINK MAX
- Instagrid LINK MAX pulls power from all three connected Instagrid ONE units

### Operation and Transport



- Optimized for mounting on Instagrid ONE **(A)**
- 4 sturdy feet for stability and grip **(B)**
- Solid frame for custom mounting (e.g. Velcro® straps) **(C)**
- Surface mounting with screws **(D)**

### Overview



- 1 Housing
- 2 Handle and hook
- 3 Output receptacle
- 4 Circuit breaker (MCB)
- 5 3x 2-pole contactor (input)
- 6 Insulation monitoring device (IMD)
- 7 Phase monitoring device (PMD)
- 8 4-pole contactor (output)
- 9 2x Accessible fuse box
- 10 3x Dual *Neutrik* input