



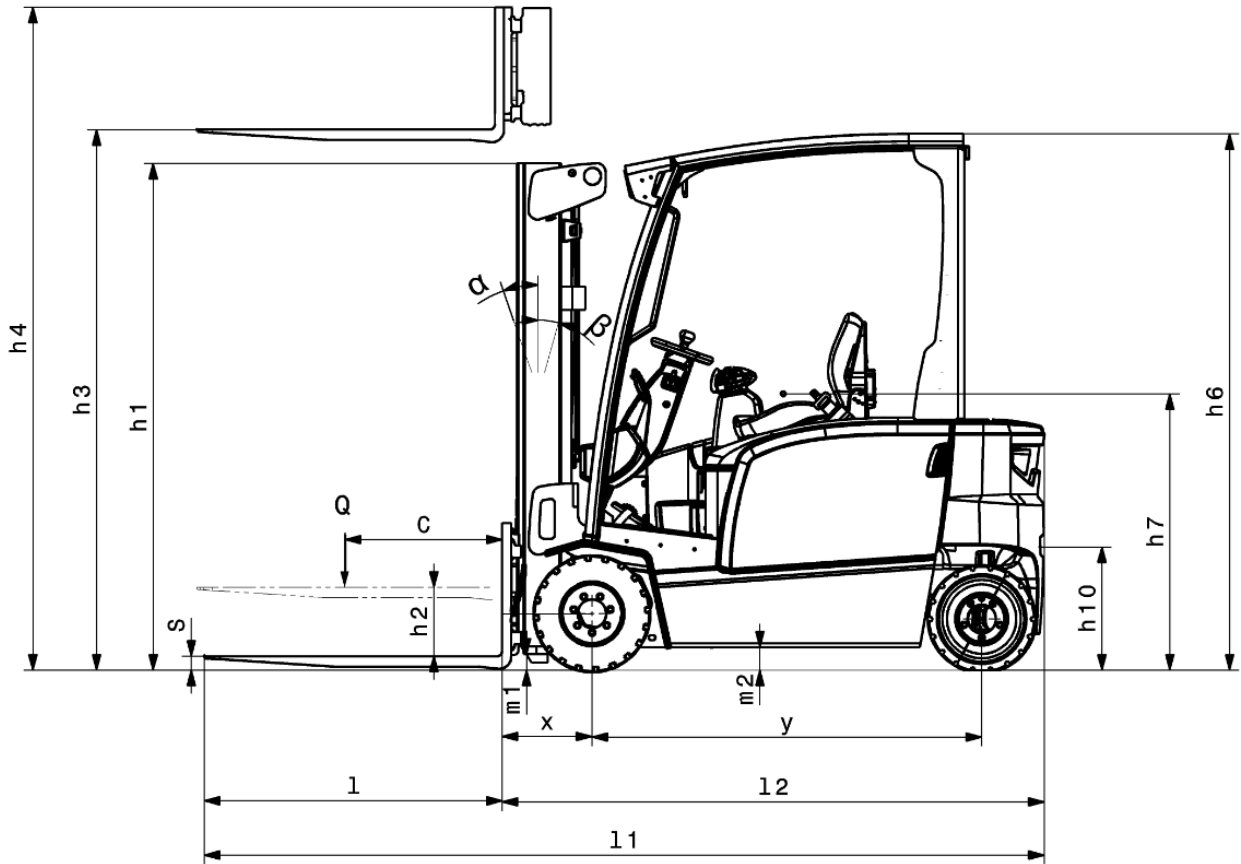
Electric four wheel counterbalance forklift truck

EFG BC 316 / 320

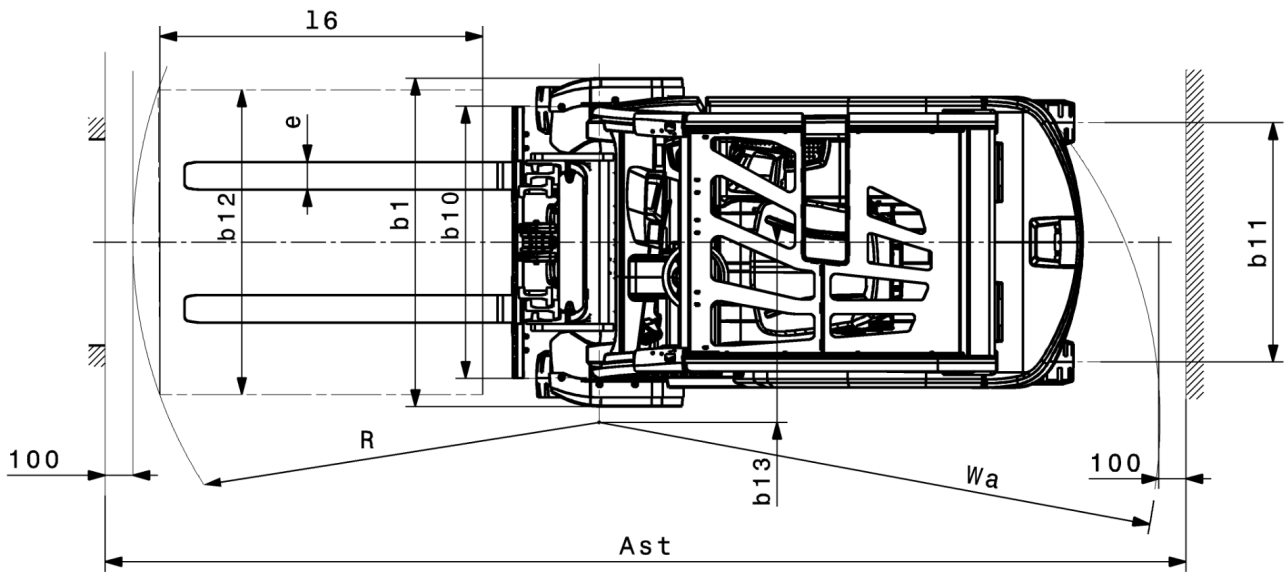
Lift height: 6500 mm / Load capacity: 1600 kg

**JUNGHEINRICH**

EFG BC 316 / 320



EFG BC 316 / 320



EFG BC 316 / 320

EFG BC 316	Lift (h3)	Retracted mast height (h1)	Free lift (h2)	Extended mast height (h4)	Forward/backward tilt of mast
Duplex mast ZT	3000 mm	2000 mm	150 mm	3555 mm	7 / 5 °
	3300 mm	2150 mm	150 mm	3855 mm	7 / 5 °
	3600 mm	2300 mm	150 mm	4155 mm	7 / 5 °
	4000 mm	2500 mm	150 mm	4555 mm	7 / 5 °
	4500 mm	2800 mm	150 mm	5055 mm	7 / 5 °
	5000 mm	3050 mm	150 mm	5555 mm	7 / 5 °
Duplex mast ZZ	3300 mm	2105 mm	1545 mm	3855 mm	7 / 5 °
	3600 mm	2255 mm	1695 mm	4155 mm	7 / 5 °
	4000 mm	2455 mm	1895 mm	4555 mm	7 / 5 °
Triplex mast DZ	4500 mm	2005 mm	1445 mm	5055 mm	7 / 5 °
	4800 mm	2105 mm	1545 mm	5355 mm	7 / 5 °
	5000 mm	2180 mm	1620 mm	5555 mm	7 / 5 °
	5500 mm	2355 mm	1795 mm	6055 mm	7 / 5 °
	6000 mm	2555 mm	1995 mm	6555 mm	7 / 5 °
	6500 mm	2805 mm	2245 mm	7055 mm	7 / 5 °
EFG BC 320	Lift (h3)	Retracted mast height (h1)	Free lift (h2)	Extended mast height (h4)	Forward/backward tilt of mast
Duplex mast ZT	3000 mm	2000 mm	150 mm	3555 mm	7 / 5 °
	3300 mm	2150 mm	150 mm	3855 mm	7 / 5 °
	3600 mm	2300 mm	150 mm	4155 mm	7 / 5 °
	4000 mm	2500 mm	150 mm	4555 mm	7 / 5 °
	4500 mm	2800 mm	150 mm	5055 mm	7 / 5 °
	5000 mm	3050 mm	150 mm	5555 mm	7 / 5 °
Duplex mast ZZ	3300 mm	2105 mm	1488 mm	3855 mm	7 / 5 °
	3600 mm	2255 mm	1638 mm	4155 mm	7 / 5 °
	4000 mm	2455 mm	1838 mm	4555 mm	7 / 5 °
Triplex mast DZ	4500 mm	2005 mm	1388 mm	5055 mm	7 / 5 °
	4800 mm	2105 mm	1488 mm	5355 mm	7 / 5 °
	5000 mm	2180 mm	1563 mm	5555 mm	7 / 5 °
	5500 mm	2355 mm	1738 mm	6055 mm	7 / 5 °
	6000 mm	2555 mm	1938 mm	6555 mm	7 / 5 °
	6500 mm	2805 mm	2188 mm	7055 mm	7 / 5 °

VDI table

Stand-on: 11/2020

Characteristic	1.1	Manufacturer (abbreviated description)			Jungheinrich	
					EFG BC 316	EFG BC 320
	1.2	Manufacturer's type designation				
	1.3	Drive			Electric	
	1.4	Operation			Seat	
	1.5	Load capacity/load	Q	kg	1600	2000
	1.6	Load centre distance	c	mm	500	
	1.8	Load distance, centre of drive axle to fork	x	mm	352	
	1.9	Wheelbase	y	mm	1506	
Weights	2.1.1	Service weight (incl. battery)		kg	3230	3317
	2.2	Axle load laden front/rear		kg	4002 / 818	4742 / 579
	2.3	Axle load unladen front/rear		kg	1514 / 1716	1606 / 1711
Wheels/suspension system	3.1	Tyres			SE	
	3.2	Tyre size, front			18 x 7 - 8	200 / 50 - 10
	3.3	Tyre size, rear			16 x 6 - 8	
	3.5	Wheels, number front/back (x=driven)			2x / 2	
	3.6	Tread width, front	b ₁₀	mm	904	924
	3.7	Tread width, rear	b ₁₁	mm	870	
	Basic dimensions	4.2	Retracted mast height (h1)	h ₁	mm	2000
4.3		Free lift (h2)	h ₂	mm	150	
4.4		Lift (h3)	h ₃	mm	3000	
4.5		Extended mast height (h4)	h ₄	mm	3555	
4.7		Height of overhead guard (cab)	h ₆	mm	2080	
4.8		Seat height/stand height	h ₇	mm	1030	
4.12		Coupling height	h ₁₀	mm	475	
4.12.1		2. Coupling height		mm	0	
4.19		Overall length	l ₁	mm	3096	-
4.19.4		Length including fork length	l ₁	mm	3096	
4.20		Length including fork shank	l ₂	mm	2096	
4.21.1		Overall width	b ₁	mm	1060	1120
4.22		Fork dimensions	s/e/l	mm	40 / 100 / 1000	
4.23		Fork carriage connection class			2A	
4.24		Fork carriage width	b ₃	mm	980	
4.31		Ground clearance laden under mast	m ₁	mm	97	
4.32		Ground clearance centre of wheelbase	m ₂	mm	88	
4.34		Aisle width (pallet 1000x1200 sideways)	Ast	mm	3485	
4.34.1		Aisle width (pallet 800x1200 length)	Ast	mm	3656	
4.35		Turning radius	W _a	mm	1925	
4.36	Smallest pivot point distance	b ₁₃	mm	562		
Performance data	5.1	Travel speed laden/unladen		km/h	15 / 15	
	5.2	Lift speed laden/unladen		m/s	0.43 / 0.53	0.34 / 0.44
	5.3	Lowering speed laden/unladen		m/s	0.51 / 0.55	
	5.5	Drawbar pull laden/unladen		N	1300 / 1500	1600 / 1900
	5.6	Max. drawbar pull laden/unladen		N	9000 / 9400	9200 / 10500
	5.7	Gradeability laden/unladen		%	6.5 / 14	5 / 11
	5.8	Max. gradeability laden/unladen		%	13.5 / 16	11 / 15
	5.9	Acceleration time laden/unladen		s	4.5 / 4.2	4.4 / 4.3
	5.10	Service brake			Mechanical	

E-motor/Electronics	6.1	Drive motor, performance S2 60 min	kW	3.7	
	6.1.1	2. Drive motor, performance S2 60 min	kW	3.7	
	6.2	Lift motor, performance with S3	kW	10	
	6.3	Battery according to DIN 43531/35/36		DIN 43531 A	
	6.4	Battery voltage/nominal capacity	V / Ah	48 / 625	
	6.5	Battery weight	kg	856	
	6.6	Energy consumption according to VDI cycle	kWh/h	4.25	4.8
	6.7	Throughput	t/h	113	136
	6.8.1	Energy consumption with max. throughput	kWh/h	5.13	5.88
Other	8.1	Type of drive control		Impulse/AC	
	10.1	Operating pressure for attachment	bar	200	
	10.2	Oil flow for attachments	l/min	25	
	10.7	Sound level as per EN12053, operator's ear	dB (A)	72	
	10.8	Trailer coupling, model/type DIN		DIN 15170 H	
<p>- This data sheet according to VDI guideline 2198 only states the technical values of the standard truck. Different tyres, other masts, additional equipment etc. may result in different values.</p>					

The German production facilities in
Norderstedt, Moosburg and Landsberg
are certified.

ISO 9001
ISO 14001

Jungheinrich fork lift trucks meet
European safety requirements.



 **JUNGHEINRICH**

The Jungheinrich logo, featuring a red upward-pointing arrow integrated into the letter 'J', followed by the word 'JUNGHEINRICH' in a bold, black, sans-serif font.