

Exploded View Hammer

**TBK175**



Breaker code

Rev.

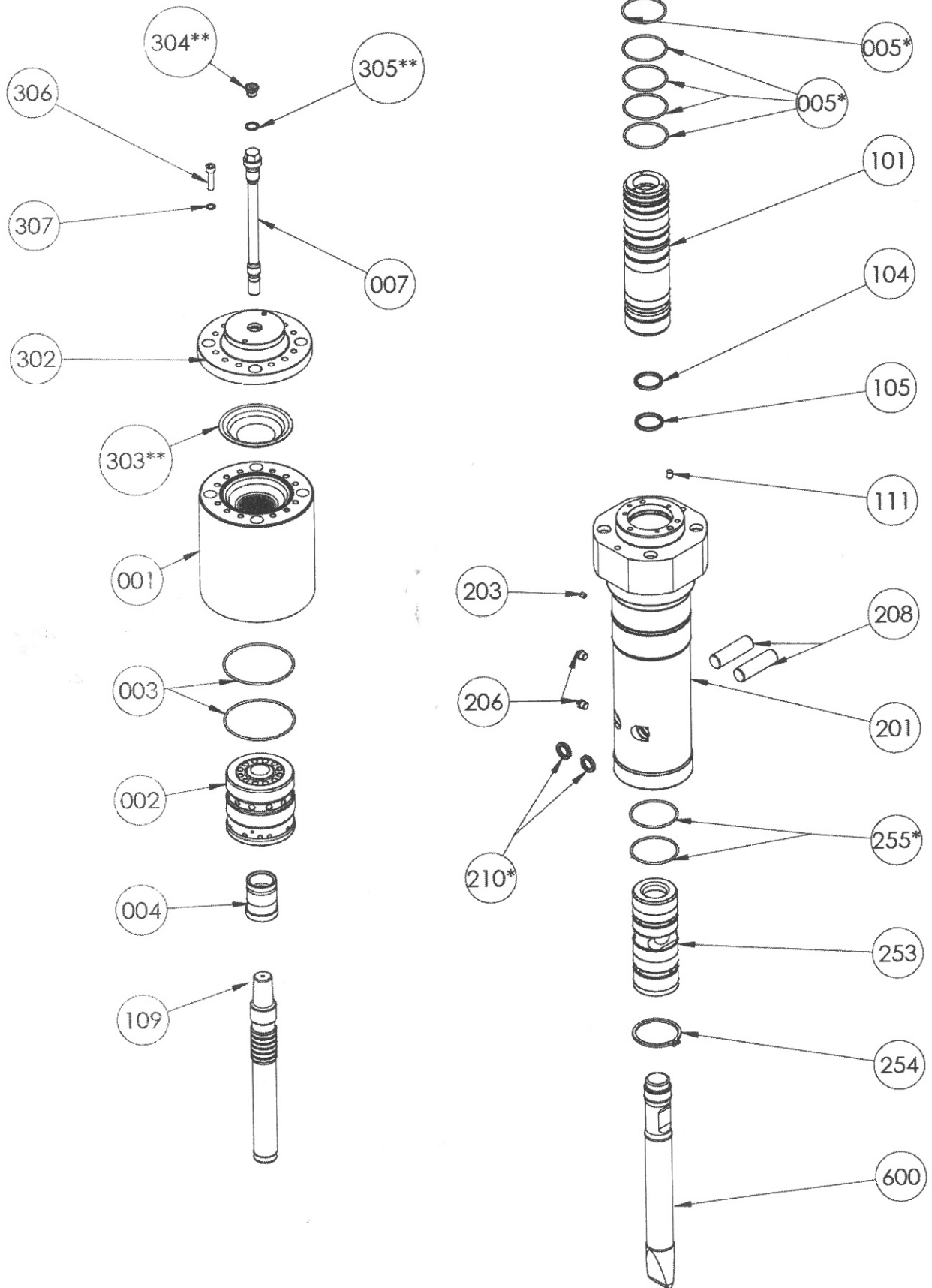
Year

Versione standard  
Standard version

TB01750

0

2025



Exploded View Housing

**TBK175**



Breaker code

Rev.

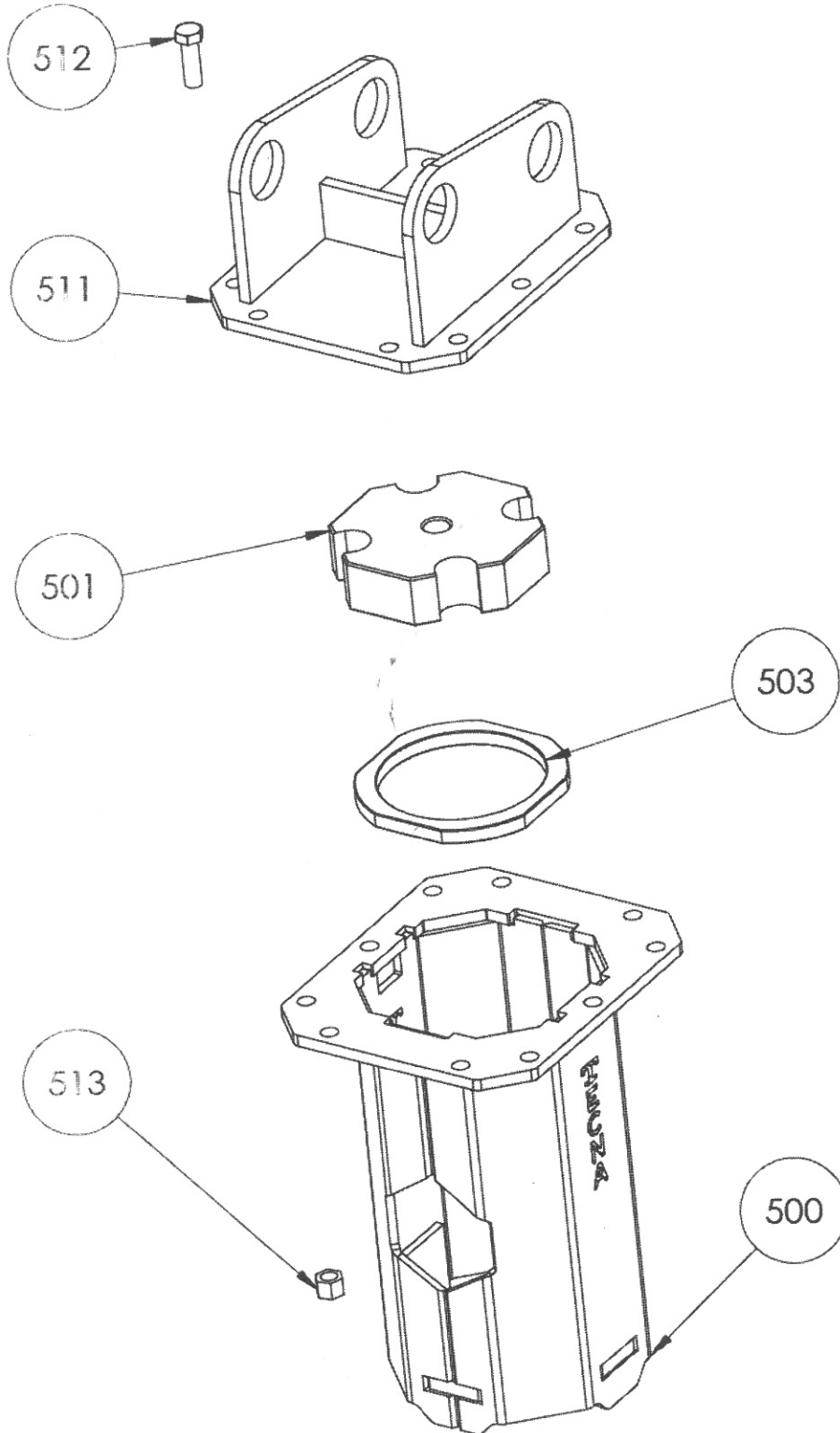
Year

Versione standard  
Standard version

TB01750

0

2025



## PARTS LIST

**TBK175**

Breaker code

Rev.

Year

Versione standard  
Standard version


TBK01750

0


2025

POS.	I	GB	D	CODE	N° of PARTS
------	---	----	---	------	-------------

001	TESTATA	HEAD	KOPFTEIL	TBK01750010	1
002	SCATOLA DISTRIBUZIONE	DISTRIBUTOR BOX	SCHIEBERGEHÄUSE	TBK01750020	1
003	O RING	O RING	O-RING	06350 *	2
004	DISTRIBUTORE	DISTRIBUTOR	STEUERSCHIEBER	TBK01750040	1
005	O RING	O RING	O RING	06320 *	1
007	VITE ANCORAGGIO	FIXING SCREW	VERSCHLUSSSCHRAUBE	TBK01800070	4
101	CILINDRO	CYLINDER	ZYLINDER	TBK01801010	1
102	O RING	O RING	O RING	06320 *	4
104	GUARNIZIONE A LABBRO	LIP SEAL	LIPPENDICHTUNG	04190 *	1
105	PARAPOLVERE	DUST SEAL	STAUBRING	19180 *	1
109	PISTONE	PISTON	SCHLAGKOLBEN	TBK01801090	1
111	SPINA CORPO	HOUSING PIN	GEHAUSE STIFT	01030	3
201	CORPO CILINDRO	CYLINDER HOUSING	ZYLINDER GEHAUSE	TBK01752010	1
203	EXPANDER	EXPANDER	EXPANDER	15051	1
206	INGRASSATORE	GREASE NIPPLE	SCHMIERNIPPEL	12000	2
208	FERMAUTENSILE	RETAIN AXLE	SPERRACHSE	T02002080	2
210	Q-RING	Q-RING	Q-RING	07002 *	2
253	BOCCOLA	CHUCK BUSH	MEISSELBUCHSE	TBK01802530	1
254	SEEGER	SEEGER	SEEGER	02050	1
255	O RING	O RING	O RING	05150 *	2
302	CAPSULA SUPERIORE	UPPER SHELL	OBERE FLANSCH	TBK01803020	1
303	MEMBRANA	DIAPHRAGM	MEMBRANE	T02003030**	1
304	VITE CARICA AZOTO	INFLATING SCREW	FÜLLSCHRAUBE	T03003040**	1
305	RONDELLA	WASHER	USIT RING	14020 **	1
306	VITE	SCREW	SCHRAUBE	07120	12
307	RONDELLA AUTOBLOCCANTE	SELF LOKING WASHER	UNTERLEGSCHLEIBE	11000	12
500	CARCASSA	CASING	GEHÄUSE	TBK01805001	1
501	AMMORTIZZATORE SUPERIORE	SHOCK ABSORBER UPPER	OBERER STOSDÄMPFER	TBK01805010	1
503	AMMORTIZZATORE INFERIORE	SHOCK ABSORBER LOWER	UNTERER STOSDÄMPFER	TBK01805030	1
511	SELLA	CRADLE	SCHNELLWECHSLERAUFNA HME	TBK01805110	1
512	VITE	SCREW	SCHRAUBE	10270	10
513	DADO AUTOBLOCCANTE	SELF LOKING NUT	SICHERUNGSMUTTER	13130	10
600	UTENSILE A SCALPELLO	CHISEL	FLACHMEIBEL - SENKRECHTER SCHNIIT	TBK01806000	1

PARTS LIST				TBK175	 <b>TECNA</b> <sup>®</sup> ITALIAN EXCELLENCE
Breaker code	Rev.	Year	Versione standard Standard version		
TBK01750	0	2025			
POS.	I	GB	D	CODE	N° of PARTS
601	UTENSILE A CONO	MOIL POINT	SPITZMEIBEL (KONISCH ZULAUFEND)	TBK01806010	1
602	UTENSILE PIATTO	BLUNT TOOL	STUMPFMEIBEL	TBK01806020	1
603	UTENSILE TAGLIASFALTO	ASPHALT CUTTER	BREIT-FLACHMEIBEL (ASPHALTSCHNEIDER)	TBK01806030	1
604	UTENSILE TAGLIALEGNA	WOOD CUTTER	SPRENGMEISSEL	TBK01806040	1
605	UTENSILE VANGHETTA	SPADE TOOL	SPITZSPATMEISSEL	TBK01806050	1
607	UTENSILE BATTIPALO	PILE DRIVER TOOL	RAMMGLOCKE	TBK01806070	1
610	UTENSILE A DISEGNO	TOOL ON REQUEST	MEISSELAUSFÜHRUNGEN NACH KUNDENWUNSCH	TBK01806100	1

*	KIT GUARNIZIONI	SEAL KIT	DICHTUNGSSÄTZE	KTBK01801	1
**	KIT MEMBRANA	DIAPHRAGM KIT	MEMBRANE KIT	KM02000	1
	KIT BATTIPALO	PILE DRIVER KIT	PFOSTENRAMME	KTBK01950	1
	KIT CARICA AZOTO	NITROGEN INFLATING KIT	STICKSTOFFSPEICHER KIT	KCN20010	1

PARTS LIST				TBK175			
Breaker code		Rev.	Year	Versione standard Standard version			
TBK01750		0	2025				
POS.	I	GB	D	TOOL FOR SCREW ASSEMBLY	Nm	in*lbF	
007	VITE DI CHIUSURA	CLOSING SCREW	VERSCHLUSSSCHRAUBEN	24	395	3496	
304	VITE CARICA AZOTO	INFLATING SCREW	FÜLLSCHRAUBE	B 8	80	708	
306	VITE CHIUSURA CAPSULA	SEAL FIXING SCREW	AKKUSCHRAUBEN	B 8	80	708	
401	NIPPLO INGRESSO/USCITA	1/2" PLUG	1/2 ZOLL DOPPELNIPPEL	27	200	1770	
512	VITE ATTACCO SELLA	CRADLE SCREW	BEFESTIGUNGSSCHRAUBE DER AUFNAHME	19	100	885	
	PRESSIONE CARICA AZOTO	NITROGEN CHARGING PRESSION	FÜLLDRUCK DES STICKSTOFFES	40	bar	580	PSI