

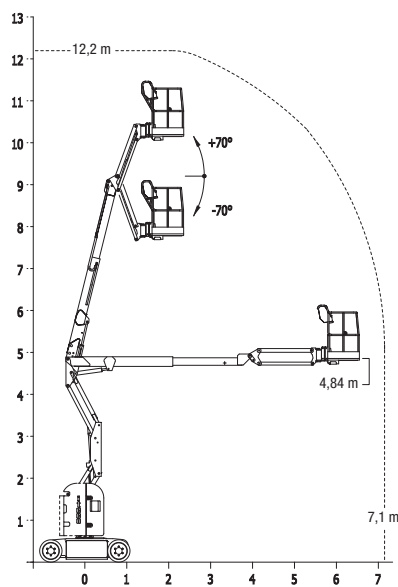
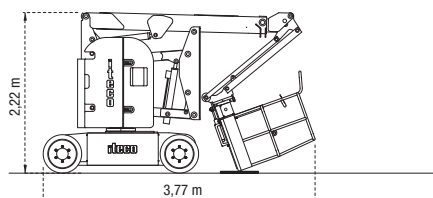
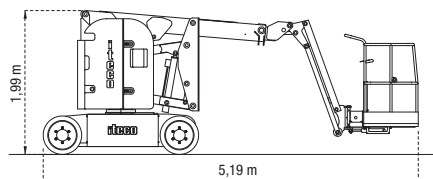
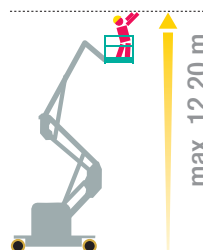
Standard equipment

- 2WD Electric traction motor
- Proportional MOSFET controls
- Simultaneous functions control (IT 150 E)
- Parking brakes with hydraulic release
- Mechanical wheel drive release for emergency hauling
- Cushion non marking tires 530 x 175 (IT 100 E), 620 x 200 (IT 150 E)
- Pothole protection (IT 100 E)
- Traction battery 48V (8x6V) - 300Ah (C5)
- Battery charger with automatic switch-off, 48V - 30A
- Battery control system with automatic cut out protection
- Battery centralized refill (IT 100 E)
- Battery disconnection plug
- 355° turret rotation
- Basket automatic levelling
- Basket hydraulic rotation
- Overload sensor on basket
- Inclinator with motion cut out and alarms
- Cylinder holding valve
- Manual emergency lowering device
- Double controls at basket and ground
- Horn, hour meter and flashing beacons
- 230V cable prearranged up to the basket
- CE – EN280 marking

Optionals

- 230 V cable with plug, socket and safety cut- out
- Working light
- Compressed air line
- Batteries' centralised automatic refilling (IT 150 E)
- Gel batteries

IT 100 E



Benefits

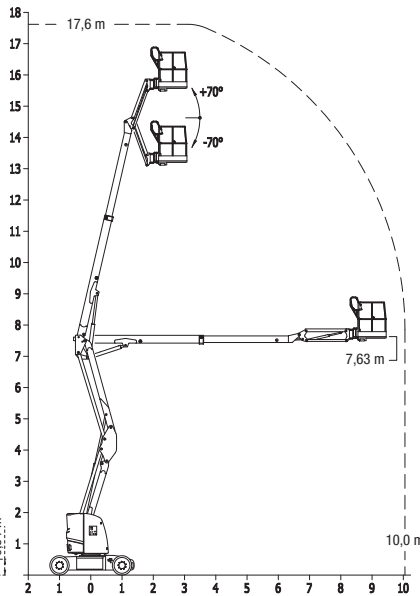
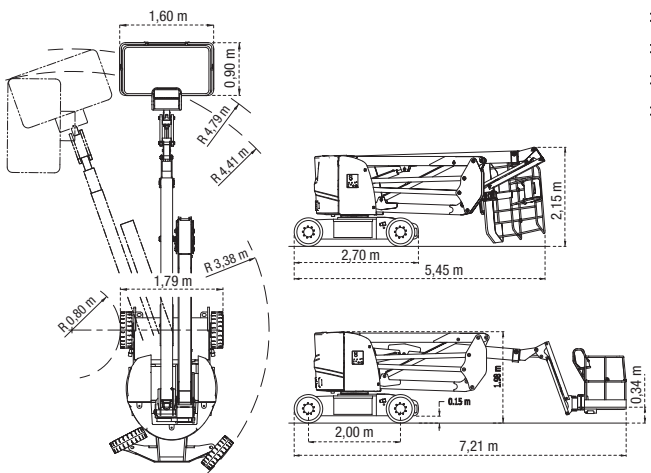
- ✓ Drivable at full height & outreach without any restriction.
- ✓ Electric drive motors: less consumption, more autonomy, and more sensitive manoeuvrability
- ✓ Zero tail swing
- ✓ Working height and outreach at the top for its class
- ✓ Electronic proportional controls for an enhanced motion efficiency
- ✓ Shortened overall transport length thanks to retractable basket
- ✓ Tight turning radius
- ✓ Outdoor use allowed

Only IT 150 E

- ✓ Simultaneous functions controls for turret rotation and traction in stowed position
- ✓ Wide working basket 1600 x 900 mm



Control box IT 150 E



	IT 100 E	IT 150 E
Working height	mm 12200	17600
Basket height	mm 10200	15600
Machine width	mm 1200	1790
Basket dimensions	mm 1170 x 750	1600 x 900
Turret rotation		355°
Basket rotation		140°
Basket levelling		automatic
Capacity	kg 220	
Controls		proportional with diagnostic
Tail swing		zero
Battery voltage	V 48	
Battery capacity	Ah 300 (C5)	
Traction speed	km/h 4	
Traction speed (safety)	km/h 0.6	
Tyres	mm 530 x 175	620 x 220
Total weight	kg 6840	7900
Gradeability	25%	20%
Internal steering radius	m 1.70	0.80
External steering radius	m 3.50	4.79 (4.41)

